

CRFAX 315 M4 0,25KW Zone 1: FAN (Ex h IIB+H2 T4 Gb) + MOTOR (Ex db IIC T5 Gb)

GENERAL DATA



ATEX ROOF FAN WITH ALUMINUM COWL

MANUFACTURING FEATURES

- Roof cowl made of aluminium
- Structure, roof base support and bird protection guard made of galvanised steel.
- High efficiency backward impeller with self-cleaning system of steel.
- ATEX asynchronous squirrel-cage motor with IP-55 protection and class F insulation. Manufactured with standard voltages: 230/400V 50Hz in three phase motors up to 4kW and 400/690V 50Hz for higher powers.
- ATEX certified:
 - Motor Ex-d: II 3G EX-d IIC T4
 - Motor Ex-e: II 3G Ex-e IIC T4
 - Motor Ex-nA: II 3G/D Ex-nA IIC T3

APPLICATIONS

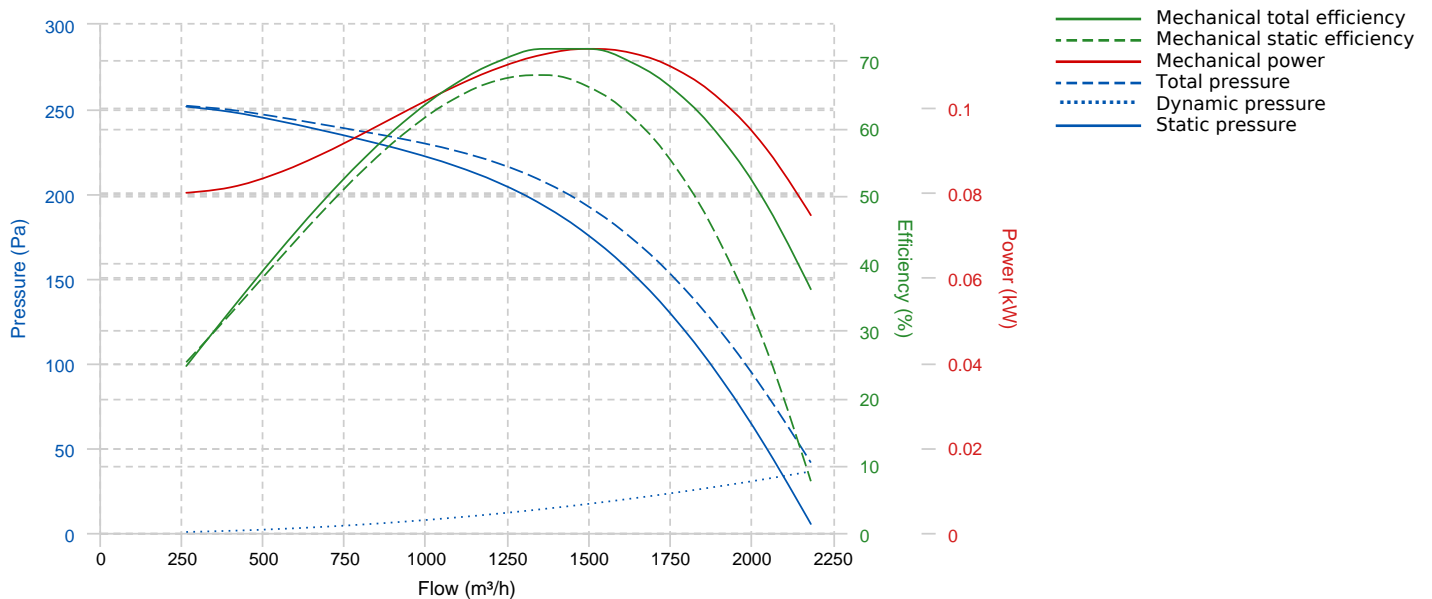
Ventilation in indoor environments classified as ATEX. Specially designed for roof installation, they are suitable for:

- Smoke extraction.
- Smoke emergency exhaust with motor outside the hazardous area.
- Air renewal in buildings and industries.
- Industrial and professional kitchen hoods.
- Maximum continuous operation temperature: 110°C (fluide).
- Maximum ambient temperature: 50°C

UNDER REQUEST

- 60Hz and special voltages.
- Atex classification for other areas

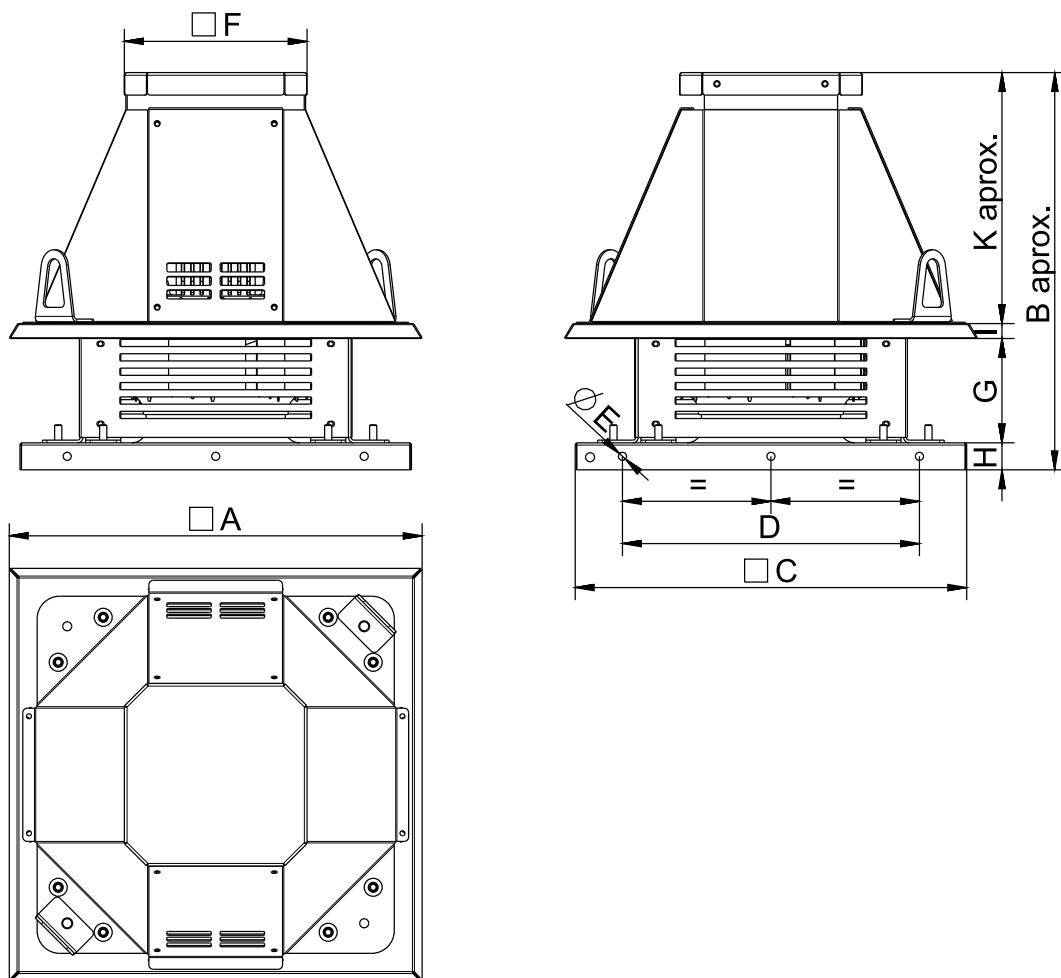
PERFORMANCE CURVE



TECHNICAL DATA

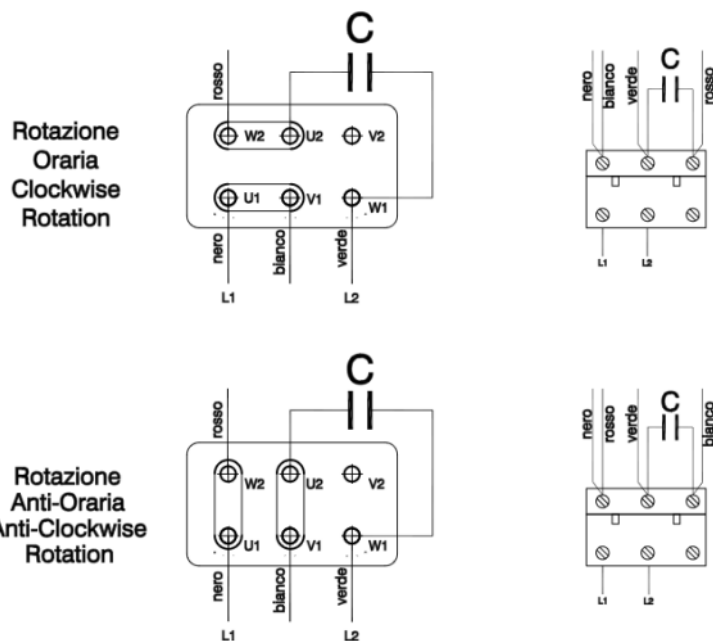
Fan							
RPM	1400	Approx. weight	30 kg	Max. Flow	2190 m ³ /h		
Motor							
Power	0,25 kW	RPM	1400	I max. (230V)	1,93 A	Size	71
Approx. weight	5.5 kg	Efficiency (%)	61 %	FP	0.92		

DIMENSIONS



Dimensions (mm)									
A	583	B aprox	544,6	C	595	D	450	E	9
F	203	G	185,25	H	40	I	20,75	K aprox	298,5

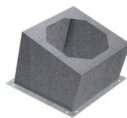
WIRING DIAGRAM



ACCESSORIES

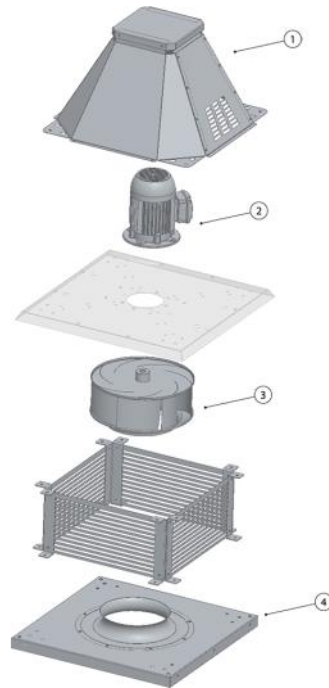


**SAFETY SWITCH
INT 25 3P A**



**INCLINED ROOF FAN SUPPORT
BTI 570**

SPARE PARTS



	Code	Model	Qty
3	R-279319381	IMPELLER THRE R63B1 315X90x14 RD	x1