

LCAX 63 T4 (A5:6) Zone 2: FAN (Ex h IIB T3 Gc) + MOTOR (Ex ec IIC T3 Gc)

GENERAL DATA



ATEX LONG CASED AXIAL SMOKE FAN WITH CAST ALUMINUM IMPELLER DIRECT DRIVE

MANUFACTURING FEATURES:

- Reinforced fan casing manufactured in rolling steel sheet.
- Modular motor-impeller assembly.
- Cast aluminum impeller with variable pitch angle.
- Polyester powder finishing coat.
- Housing with motor access door.
- ATEX asynchronous squirrel-cage motor with IP-55 protection and class F insulation. Manufactured with standard voltages: 230/400V 50Hz in three phase motors up to 4kW and 400/690V 50Hz for higher powers.
- ATEX certified:
 - Motor Ex-d: II 3G EX-d IIC T4
 - Motor Ex-e: II 3G Ex-e IIC T4
 - Motor Ex-nA: II 3G/D Ex-nA IIC T3

APPLICATIONS

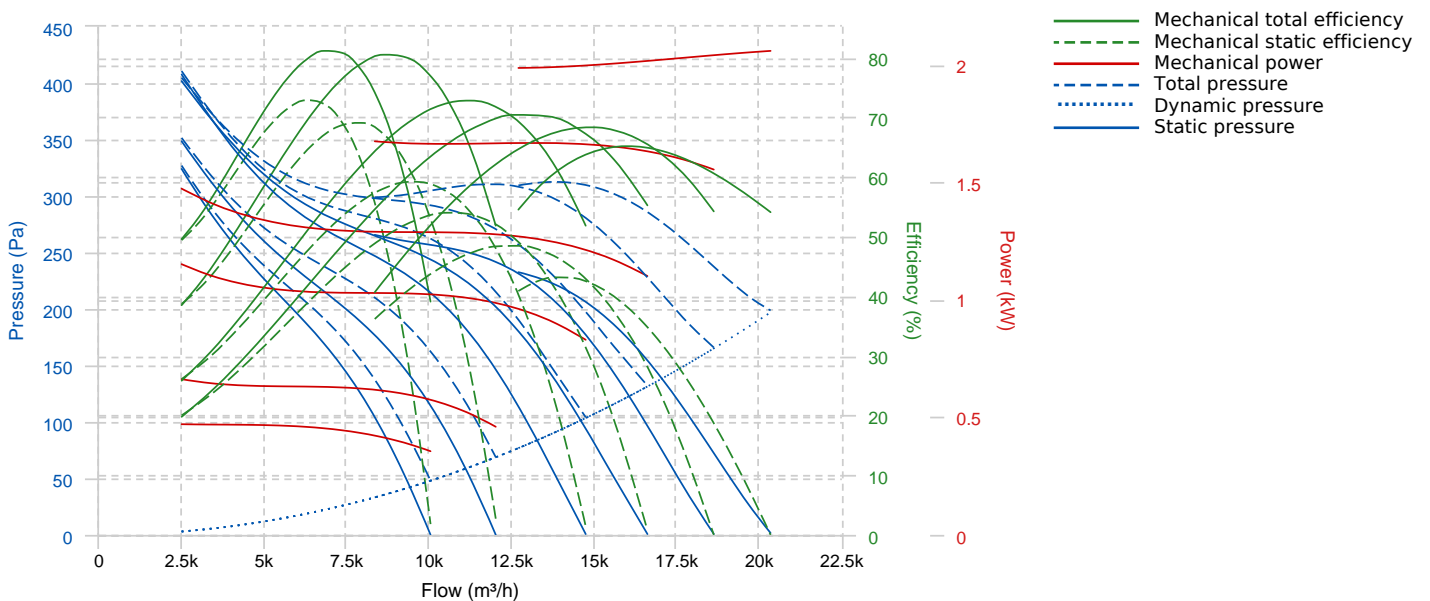
Designed for wall or duct installation, they are suitable for:

- Air renewal in buildings and industries.
- Smoke extraction (max 45-50°C).
- Maximum working temperature: 50°C
- Ventilation in indoor environments classified as ATEX

UNDER REQUEST

- B-form or 100% reversible impeller.
- 60Hz fans and special voltages.
- Bigger fan sizes.

PERFORMANCE CURVE

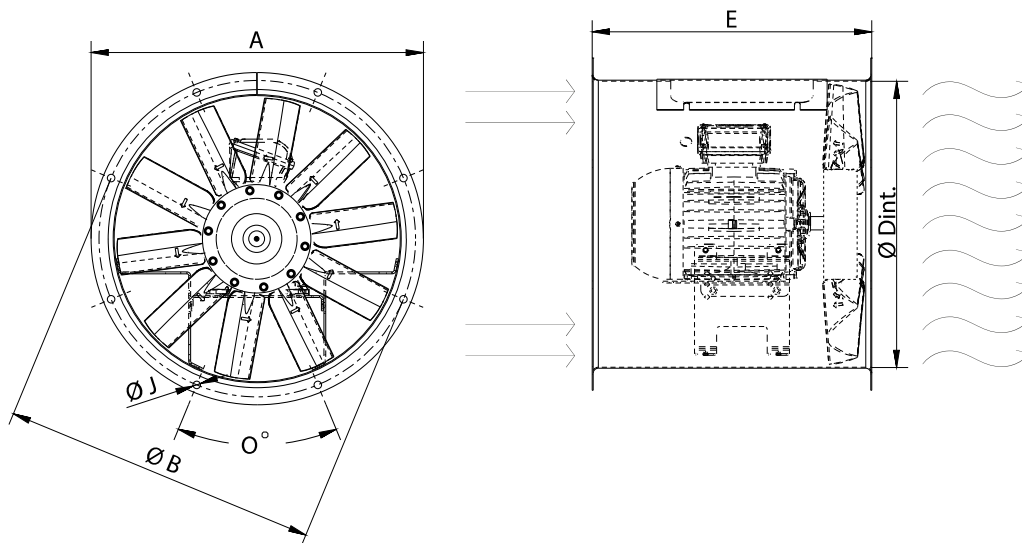


TECHNICAL DATA

Fan

RPM	-	Approx. weight	-	Max. Flow	20350 m ³ /h
-----	---	----------------	---	-----------	-------------------------

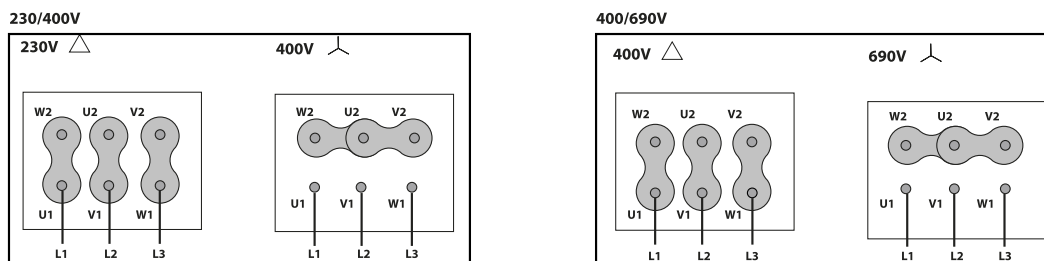
DIMENSIONS



Dimensions (mm)

E	550	O	12X30°	ØA	725	ØB	690	ØD	633
ØJ	12								

WIRING DIAGRAM



ACCESSORIES



PROTECTION GUARD FOR LONG CASE FANS RP 63



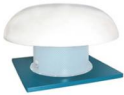
CASE FANS MOUNTING SUPPORT MFLCA 63



**CONNECTION FLANGE
AC 630**



**CIRCULAR-CIRCULAR ANTI-VIBRATION FLANGE
BAD 15**



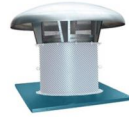
**AXIAL ROOF FAN KIT
KIT ARF 63**



**ANTI-VIBRATION SPRING BLOCK
AVS (GENERIC)**



**ANTI-VIBRATING FLANGE 400°/2H
BA-400 63**



**AXIAL ROOF FAN KIT - METALLIC
KIT ARFM 63**



**FREQUENCY SPEED CONTROLLER
SFC (GENERIC)**



**CIRCULAR SILENCER
SIL-C 630/630**