

# LCAX 56 T6 (A5:6) Zone 1: FAN (Ex h IIB+H2 T4 Gb) + MOTOR (Ex eb IIC T4 Gb)

## GENERAL DATA



### ATEX LONG CASED AXIAL SMOKE FAN WITH CAST ALUMINUM IMPELLER DIRECT DRIVE

#### MANUFACTURING FEATURES:

- Reinforced fan casing manufactured in rolling steel sheet.
- Modular motor-impeller assembly.
- Cast aluminum impeller with variable pitch angle.
- Polyester powder finishing coat.
- Housing with motor access door.
- ATEX asynchronous squirrel-cage motor with IP-55 protection and class F insulation. Manufactured with standard voltages: 230/400V 50Hz in three phase motors up to 4kW and 400/690V 50Hz for higher powers.
- ATEX certified:
  - Motor Ex-d: II 3G EX-d IIC T4
  - Motor Ex-e: II 3G Ex-e IIC T4
  - Motor Ex-nA: II 3G/D Ex-nA IIC T3

#### APPLICATIONS

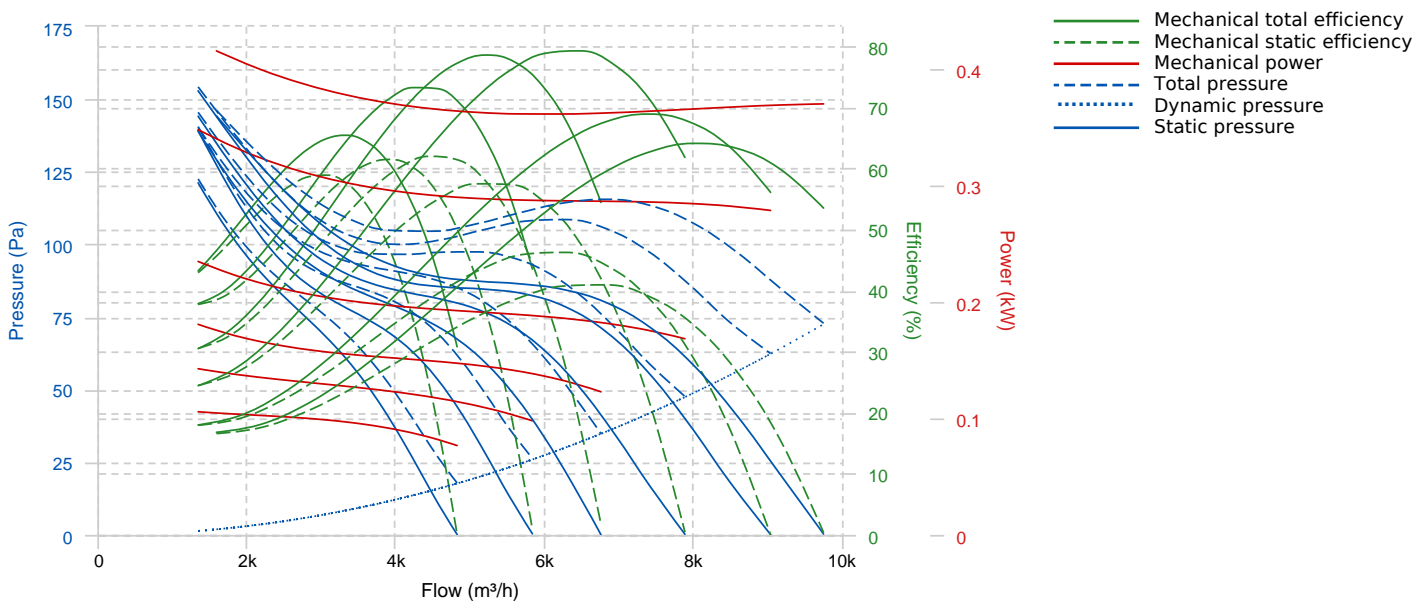
Designed for wall or duct installation, they are suitable for:

- Air renewal in buildings and industries.
- Smoke extraction (max 45-50°C).
- Maximum working temperature: 50°C
- Ventilation in indoor environments classified as ATEX

#### UNDER REQUEST

- B-form or 100% reversible impeller.
- 60Hz fans and special voltages.
- Bigger fan sizes.

## PERFORMANCE CURVE

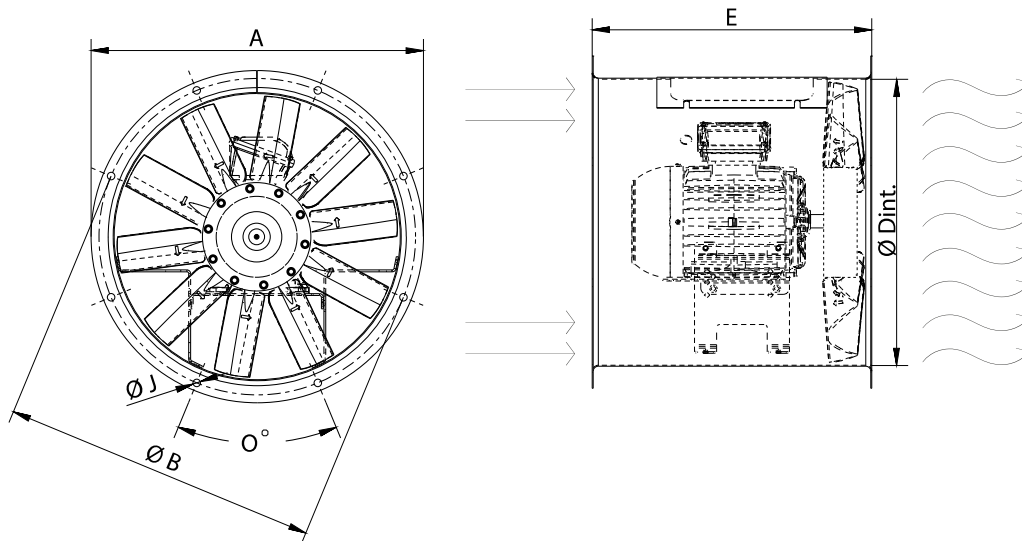


## TECHNICAL DATA

### Fan

RPM	-	Approx. weight	-	Max. Flow	9760 m <sup>3</sup> /h
-----	---	----------------	---	-----------	------------------------

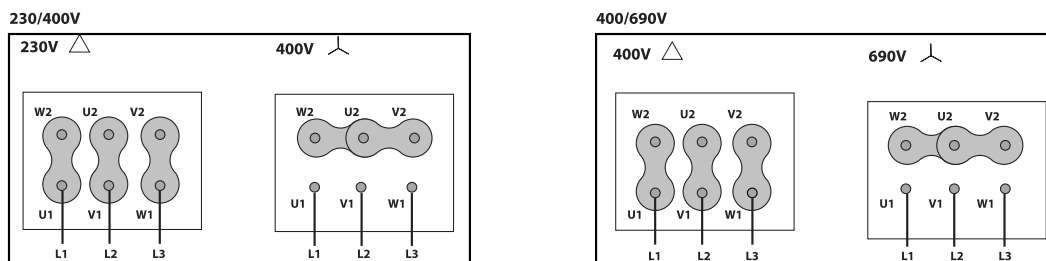
## DIMENSIONS



### Dimensions (mm)

E	560	O	12X30°	ØA	646	ØB	620	ØD	559
ØJ	12								

## WIRING DIAGRAM



## ACCESSORIES



**PROTECTION GUARD FOR LONG CASE FANS  
RP 56**



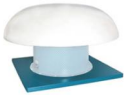
**CASE FANS MOUNTING SUPPORT  
MFLCA 56**



**CONNECTION FLANGE  
AC 560**



**CIRCULAR-CIRCULAR ANTI-VIBRATION FLANGE  
BAD 14**



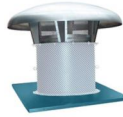
**AXIAL ROOF FAN KIT  
KIT ARF 56**



**ANTI-VIBRATION SPRING BLOCK  
AVS (GENERIC)**



**ANTI-VIBRATING FLANGE 400°/2H  
BA-400 56**



**AXIAL ROOF FAN KIT - METALLIC  
KIT ARFM 56**



**FREQUENCY SPEED CONTROLLER  
SFC (GENERIC)**



**CIRCULAR SILENCER  
SIL-C 560/560**