

SCAX 56 T6 (A5:6) Zone 1: FAN (Ex h IIB+H2 T4 Gb) + MOTOR (Ex eb IIC T4 Gb)

GENERAL DATA



ATEX SHORT CASED AXIAL FAN WITH CAST ALUMINUM IMPELLER DIRECT DRIVE

MANUFACTURING FEATURES:

- Axial fan short casing with circular reinforced frame.
- Motor-impeller assembly through modular system.
- Cast aluminium impeller.
- Corrosion-resistant powder coat polyester resin.
- ATEX asynchronous squirrel-cage motor with IP-55 protection and class F insulation. Manufactured with standard voltages: 230/400V 50Hz in three phase motors up to 4kW and 400/690V 50Hz for higher powers.
- ATEX certified:
 - Motor Ex-d: II 3G EX-d IIC T4
 - Motor Ex-e: II 3G Ex-e IIC T4
 - Motor Ex-nA: II 3G/D Ex-nA IIC T3

APPLICATIONS

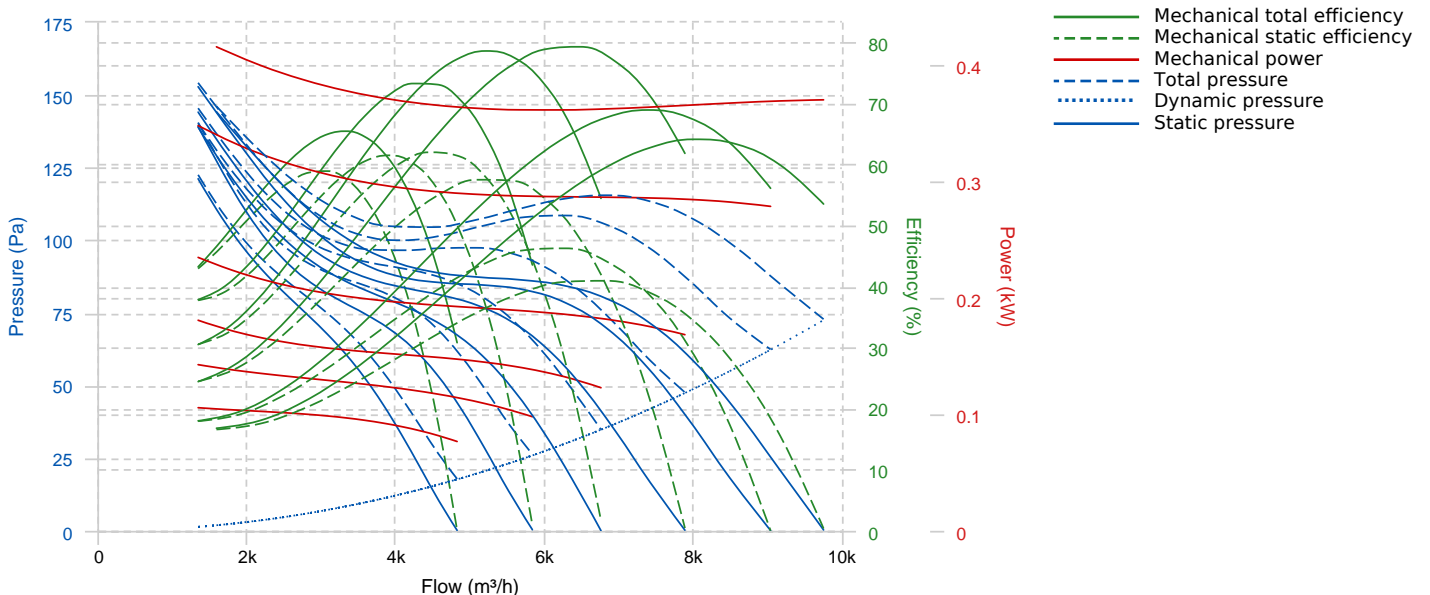
Designed for wall or duct installation, they are suitable for:

- Air renewal in buildings and industries.
- Smoke extraction (max 45-50°C).
- Ventilation in indoor environments classified as ATEX
- Maximum working temperature: 50°C

UNDER REQUEST

- B form or 100% reversible impeller.
- 60Hz fans and special voltages.

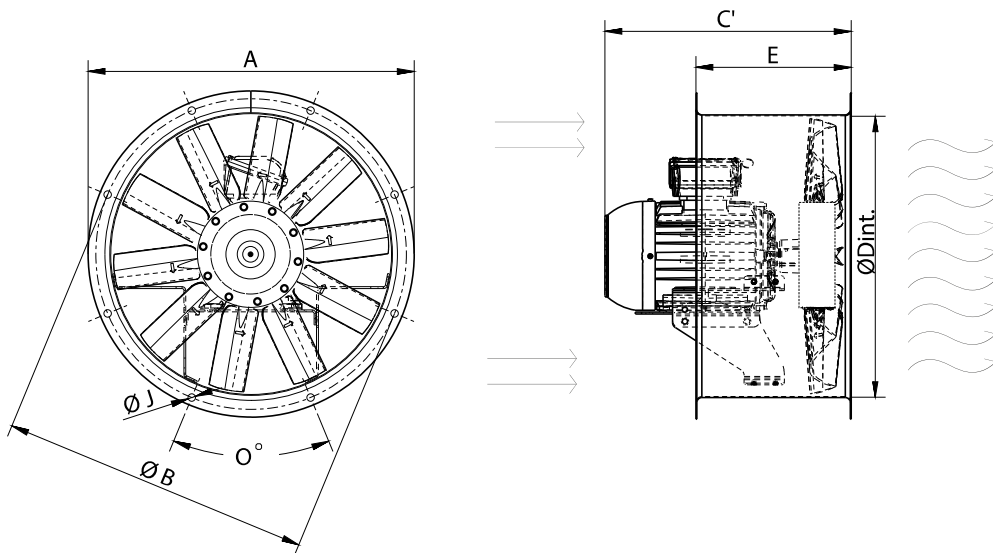
PERFORMANCE CURVE



TECHNICAL DATA

Fan					
RPM	-	Approx. weight	-	Max. Flow	9760 m³/h

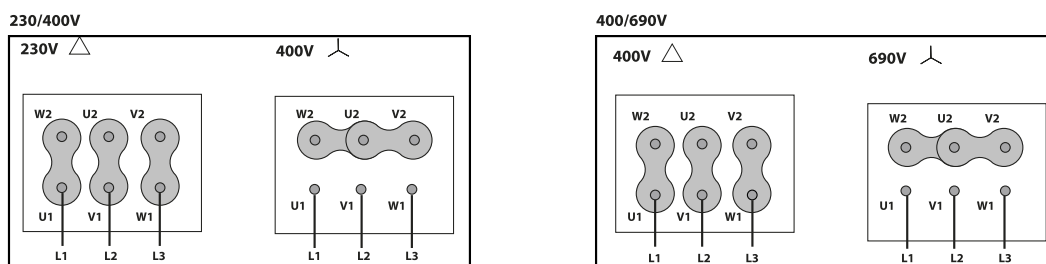
DIMENSIONS



Dimensions (mm)

C' (Mot.T.71)	348	C' (Mot.T.80)	362	C' (Mot.T.90L)	397	C' (Mot.T.90S)	372	C' (Mot.T.100L)	433
E	250	Ø	12X30 ^ø	ØA	646	ØB	620	ØD	559
ØJ	12								

WIRING DIAGRAM



ACCESSORIES



**PROTECTION GUARD FOR LONG CASE FANS
RP 56**



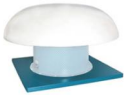
**CASE FANS MOUNTING SUPPORT
MFLCA 56**



**CONNECTION FLANGE
AC 560**



**CIRCULAR-CIRCULAR ANTI-VIBRATION FLANGE
BAD 14**



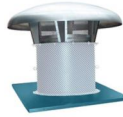
**AXIAL ROOF FAN KIT
KIT ARF 56**



**ANTI-VIBRATION SPRING BLOCK
AVS (GENERIC)**



**ANTI-VIBRATING FLANGE 400°/2H
BA-400 56**



**AXIAL ROOF FAN KIT - METALLIC
KIT ARFM 56**



**FREQUENCY SPEED CONTROLLER
SFC (GENERIC)**



**CIRCULAR SILENCER
SIL-C 560/560**