

SCAX 112 T6 (A6:3) Zone 2: FAN (Ex h IIB T3 Gc) + MOTOR (Ex ec IIC T3 Gc)

GENERAL DATA



ATEX SHORT CASED AXIAL FAN WITH CAST ALUMINUM IMPELLER DIRECT DRIVE

MANUFACTURING FEATURES:

- Axial fan short casing with circular reinforced frame.
- Motor-impeller assembly through modular system.
- Cast aluminium impeller.
- Corrosion-resistant powder coat polyester resin.
- ATEX asynchronous squirrel-cage motor with IP-55 protection and class F insulation. Manufactured with standard voltages: 230/400V 50Hz in three phase motors up to 4kW and 400/690V 50Hz for higher powers.
- ATEX certified:
 - Motor Ex-d: II 3G EX-d IIC T4
 - Motor Ex-e: II 3G Ex-e IIC T4
 - Motor Ex-nA: II 3G/D Ex-nA IIC T3

APPLICATIONS

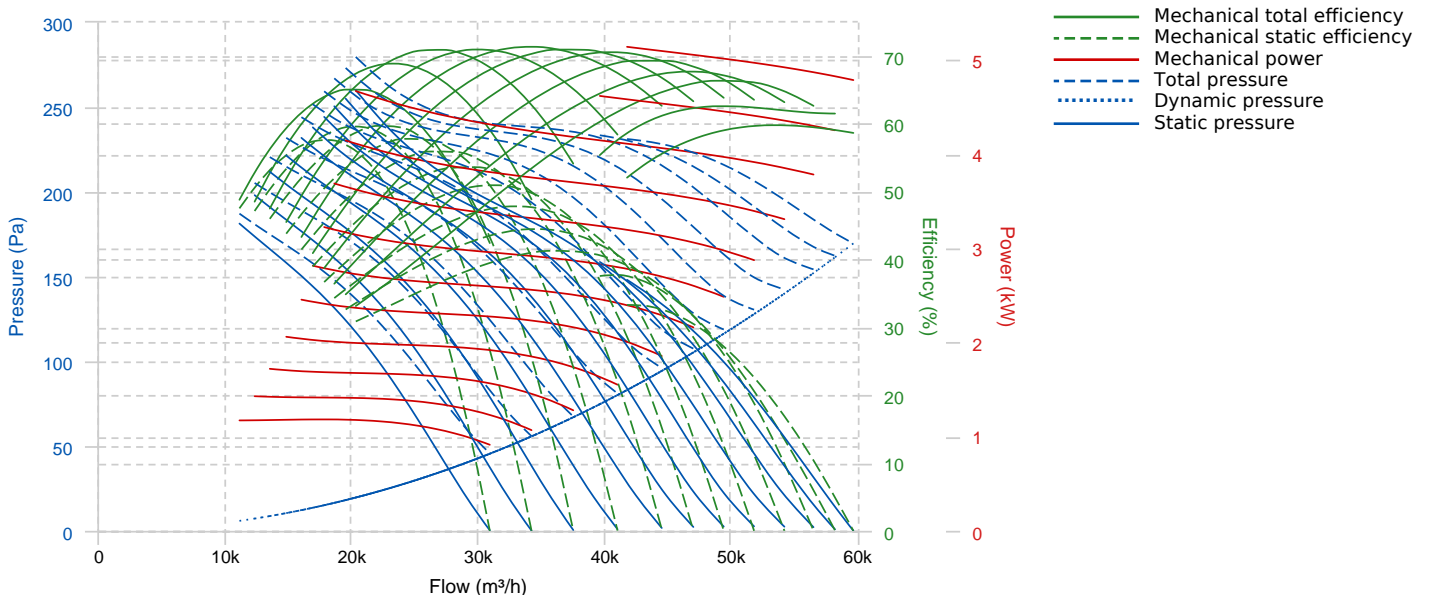
Designed for wall or duct installation, they are suitable for:

- Air renewal in buildings and industries.
- Smoke extraction (max 45-50°C).
- Ventilation in indoor environments classified as ATEX
- Maximum working temperature: 50°C

UNDER REQUEST

- B form or 100% reversible impeller.
- 60Hz fans and special voltages.

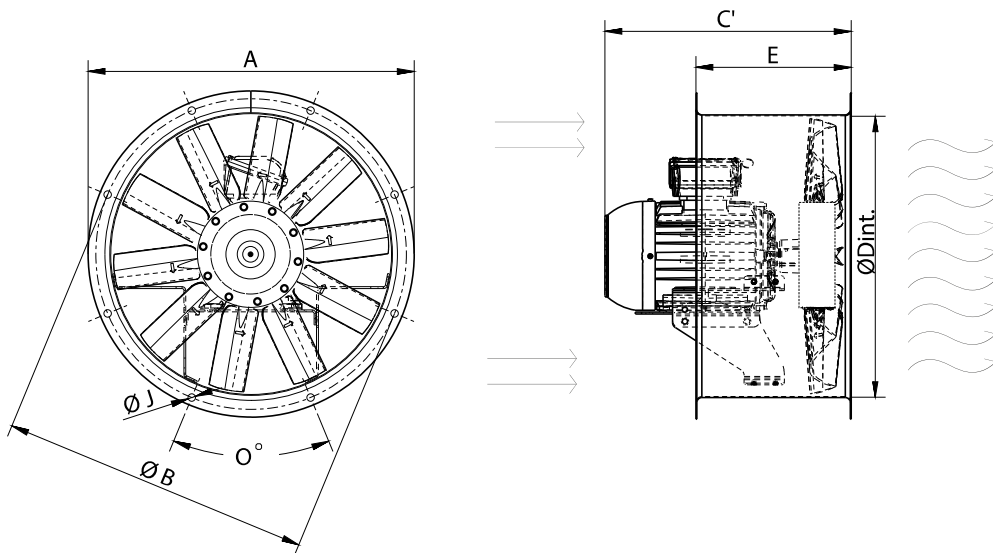
PERFORMANCE CURVE



TECHNICAL DATA

Fan					
RPM	-	Approx. weight	-	Max. Flow	59660 m³/h

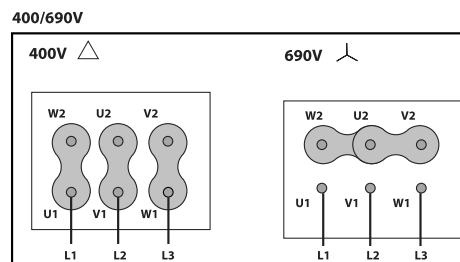
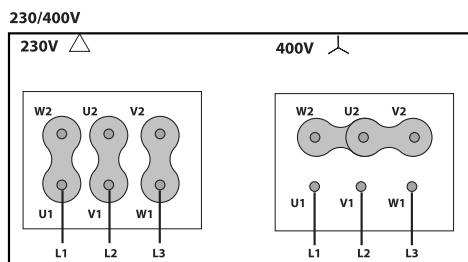
DIMENSIONS



Dimensions (mm)

C' (Mot.T. 132)	765	C' (Mot.T. 160L)	772	C' (Mot.T. 160M)	765	C' (Mot.T. 180L)	804	C' (Mot.T. 180M)	766
C' (Mot.T. 200)	869	C' (Mot.T. 225)	954	E	500	O	16x22,5 ^ø	ØA	1234
ØB	1190	ØD	1132	ØJ	12				

WIRING DIAGRAM



ACCESSORIES



**CASE FANS MOUNTING SUPPORT
MFLCA 112**



**ANTI-VIBRATING FLANGE 400^ø/2H
BA-400 112**



**PROTECTION GUARD FOR LONG CASE FANS
RP 112**



**CONNECTION FLANGE
AC 1120**



**ANTI-VIBRATION SPRING BLOCK
AVS (GENERIC)**



**CIRCULAR-CIRCULAR ANTI-VIBRATION FLANGE
BAD 20**



**FREQUENCY SPEED CONTROLLER
SFC (GENERIC)**



**CIRCULAR SILENCER
SIL-C 1120/1120**