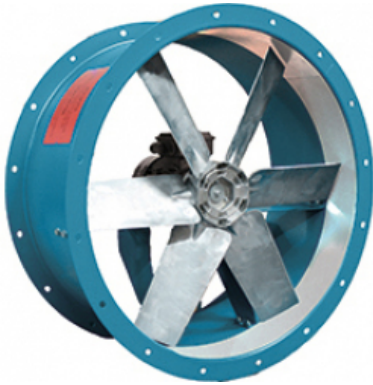


SCAX FIRE 90 T6 (A6:3) F300

GENERAL DATA



ATEX SHORT CASED AXIAL SMOKE FAN WITH CAST ALUMINUM IMPELLER DIRECT DRIVE - 300°C/1h

MANUFACTURING FEATURES:

- Axial fan short casing with circular reinforced frame.
- Modular motor-impeller assembly.
- Cast aluminum impeller with variable pitch angle.
- Polyester powder finishing coat.
- Standard asynchronous squirrel-cage motor with IP-55 protection and Class H insulation certified 300°C/1h and ATEX. Manufactured with standard voltages: 230/400V 50Hz in three phase motors up to 4kW and 400/690V 50Hz for higher powers.
- ATEX certified II 3G EX-ed IIC T3 Gc & II 3D EX-tc IIB T125 Dc

APPLICATIONS:

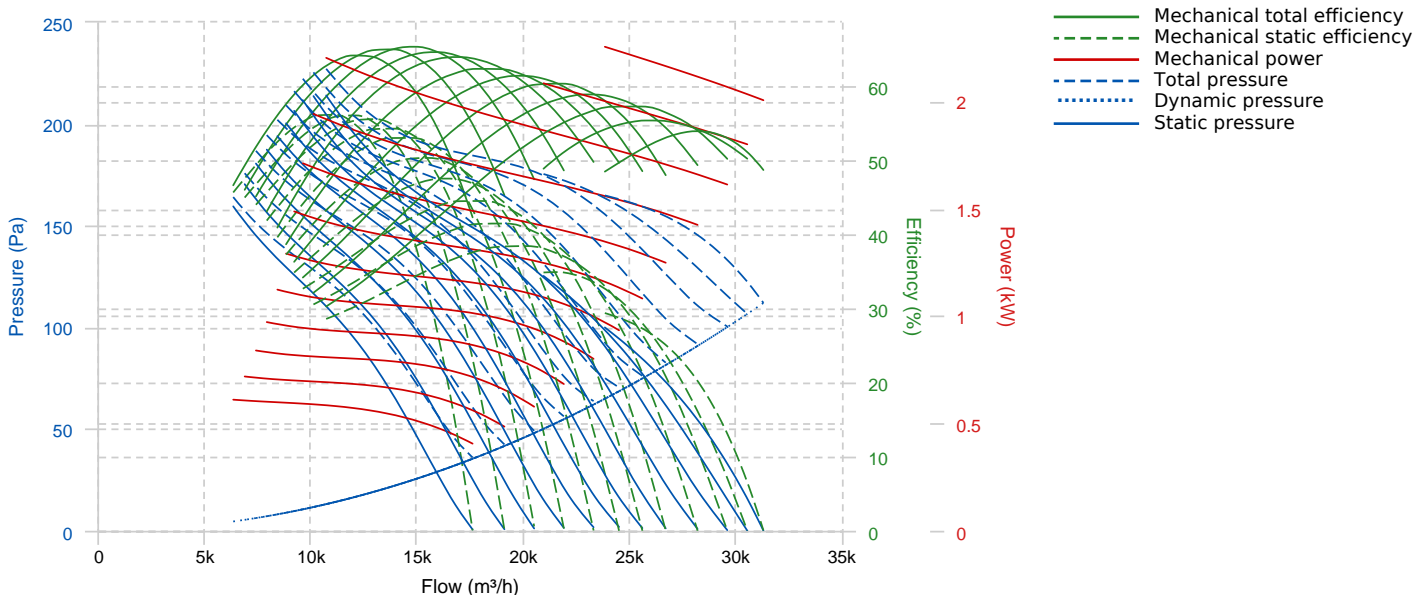
- Designed for inline installation, they are suitable for:
- Smoke emergency exhaust with motor inside the hazardous area.
 - Maximum working temperature: 60°C.

UNDER REQUEST:

- Supply impeller (air direction from impeller to motor).
- 100% reversible impeller.

Official homologation by the European laboratory APPLUS according to EN 12101-3:2015 Certification Nr: 0370-CPR-2407

PERFORMANCE CURVE

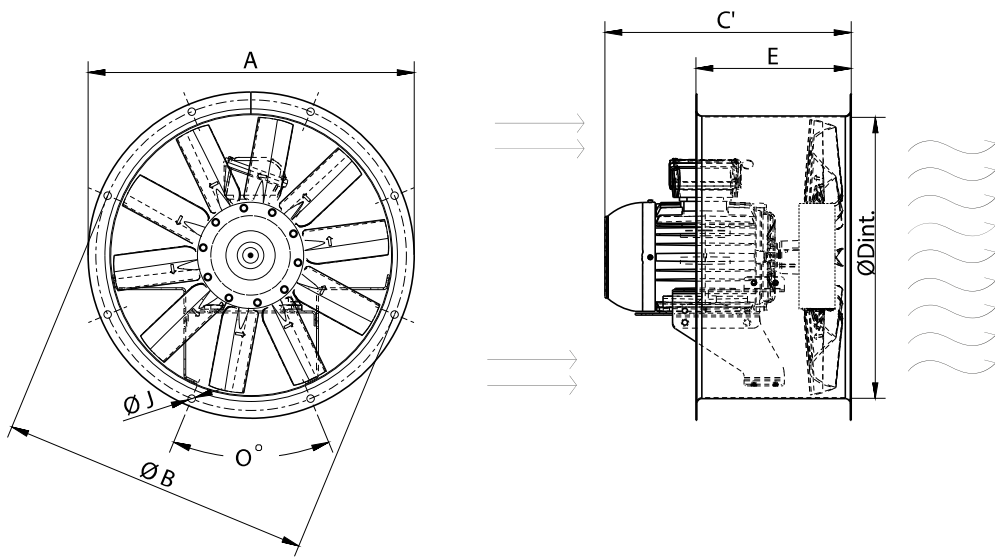


TECHNICAL DATA

Fan

RPM	-	Approx. weight	-	Max. Flow	31310 m ³ /h
-----	---	----------------	---	-----------	-------------------------

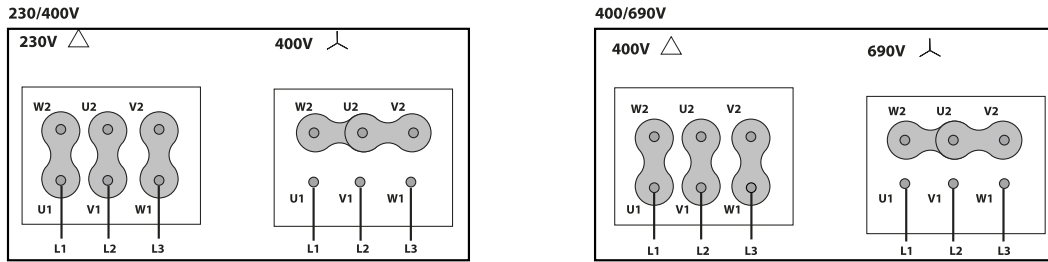
DIMENSIONS



Dimensions (mm)

C' (Mot.T. 100L)	655	C' (Mot.T. 112)	655	C' (Mot.T. 132)	655	C' (Mot.T. 160L)	762	C' (Mot.T. 160M)	718
C' (Mot.T. 180L)	794	C' (Mot.T. 180M)	756	E	425	O	16x22,5°	ØA	1000
ØB	970	ØD	903.5	Øj	12				

WIRING DIAGRAM



ACCESSORIES



**PROTECTION GUARD FOR LONG CASE FANS
RP 90**



**CONNECTION FLANGE
AC 900**



**CIRCULAR-CIRCULAR ANTI-VIBRATION FLANGE
BAD 18**



**SAFETY SWITCH
INT (GENERIC)**



**FREQUENCY SPEED CONTROLLER
SFC (GENERIC)**



**CIRCULAR SILENCER
SIL-C 900/900**



**CASE FANS MOUNTING SUPPORT
MFLCA 90**



**ANTI-VIBRATING FLANGE 400°/2H
BA-400 90**



**AXIAL ROOF FAN KIT - METALLIC
KIT ARFM 90**



**SAFETY SWITCH FOR 400°C/2h
INT F400 (GENERIC)**



**ANTI-VIBRATION SPRING BLOCK
AVS (GENERIC)**