

LCAX FIRE 112 T4 (A6:6) F300

GENERAL DATA



ATEX LONG CASED AXIAL SMOKE FAN WITH CAST ALUMINUM IMPELLER DIRECT DRIVE - 300°C/1h

MANUFACTURING FEATURES:

- Long cased axial fan with reinforced body.
- Modular motor-impeller assembly.
- Cast aluminum impeller with variable pitch angle.
- Polyester powder finishing coat.
- Housing with motor access door.
- Standard asynchronous squirrel-cage motor with IP-55 protection and Class H insulation certified 300°C/1h and ATEX. Manufactured with standard voltages: 230/400V 50Hz in three phase motors up to 4kW and 400/690V 50Hz for higher powers.
- ATEX certified II 3G EX-ed IIC T3 Gc & II 3D EX-tc IIB T125 Dc

APPLICATIONS:

Designed for inline installation, they are suitable for:

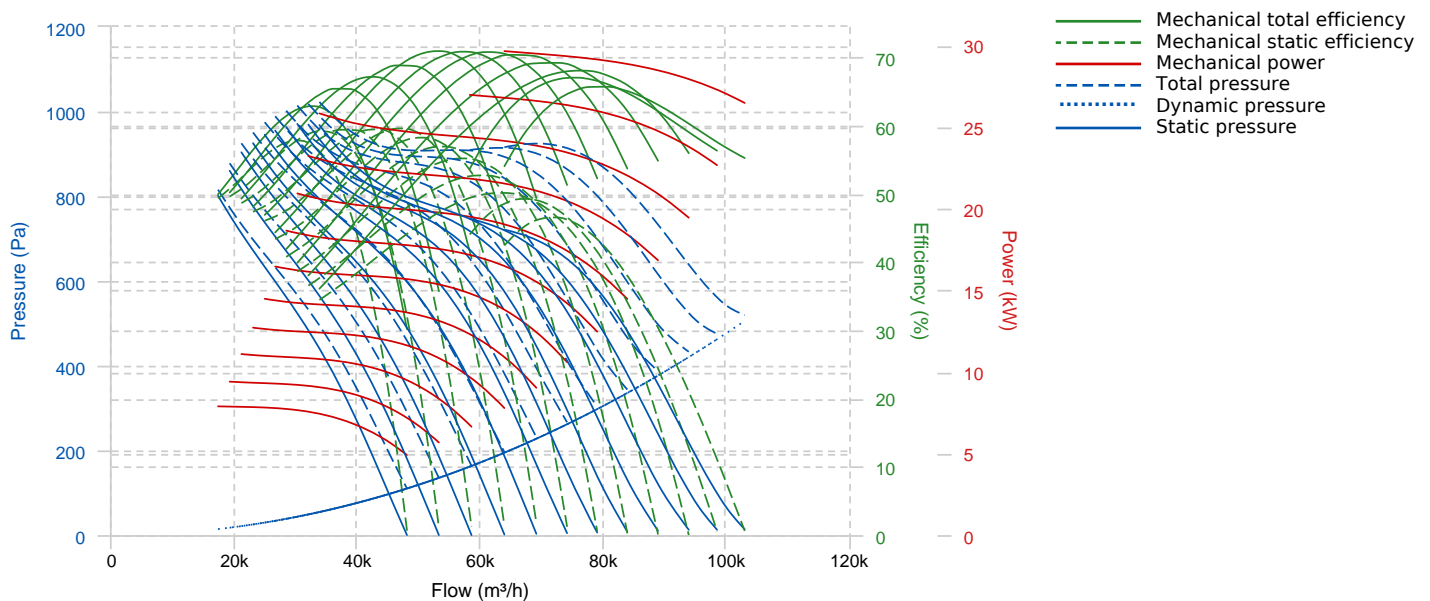
- Smoke emergency exhaust with motor inside the hazardous area and high pressures needed.
- Maximum working temperature: 60°C.

UNDER REQUEST:

- Supply impeller (air direction from impeller to motor)
- 100% reversible impeller.

Official homologation by the European laboratory APPLUS according to EN 12101-3:2015 Certification Nr: 0370-CPR-2404

PERFORMANCE CURVE

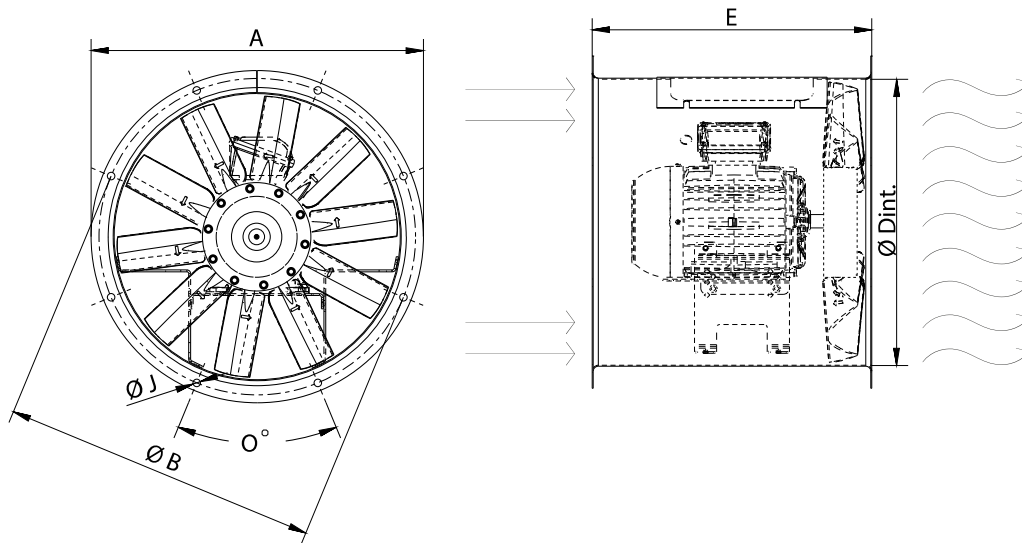


TECHNICAL DATA

Fan

| | | | | | |
|-----|---|----------------|---|-----------|--------------------------|
| RPM | - | Approx. weight | - | Max. Flow | 103010 m ³ /h |
|-----|---|----------------|---|-----------|--------------------------|

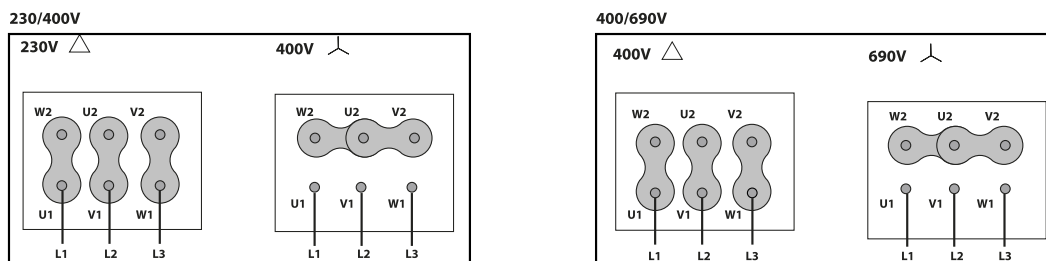
DIMENSIONS



Dimensions (mm)

| | | | | | | | | | |
|----|------|---|----------|----|------|----|------|----|------|
| E | 1000 | O | 16x22,5° | ØA | 1234 | ØB | 1190 | ØD | 1132 |
| ØJ | 12 | | | | | | | | |

WIRING DIAGRAM



ACCESSORIES



CASE FANS MOUNTING SUPPORT
MFLCA 112



ANTI-VIBRATING FLANGE 400°/2H
BA-400 112



**PROTECTION GUARD FOR LONG CASE FANS
RP 112**



**CONNECTION FLANGE
AC 1120**



**SAFETY SWITCH FOR 400°C/2h
INT F400 (GENERIC)**



**ANTI-VIBRATION SPRING BLOCK
AVS (GENERIC)**



**CIRCULAR-CIRCULAR ANTI-VIBRATION FLANGE
BAD 20**



**SAFETY SWITCH
INT (GENERIC)**



**FREQUENCY SPEED CONTROLLER
SFC (GENERIC)**



**CIRCULAR SILENCER
SIL-C 1120/1120**