

LCAX FIRE 80 T6 (A2:6) F300

GENERAL DATA



ATEX LONG CASED AXIAL SMOKE FAN WITH CAST ALUMINUM IMPELLER DIRECT DRIVE - 300°C/1h

MANUFACTURING FEATURES:

- Long cased axial fan with reinforced body.
- Modular motor-impeller assembly.
- Cast aluminum impeller with variable pitch angle.
- Polyester powder finishing coat.
- Housing with motor access door.
- Standard asynchronous squirrel-cage motor with IP-55 protection and Class H insulation certified 300°C/1h and ATEX. Manufactured with standard voltages: 230/400V 50Hz in three phase motors up to 4kW and 400/690V 50Hz for higher powers.
- ATEX certified II 3G EX-ed IIC T3 Gc & II 3D EX-tc IIB T125 Dc

APPLICATIONS:

Designed for inline installation, they are suitable for:

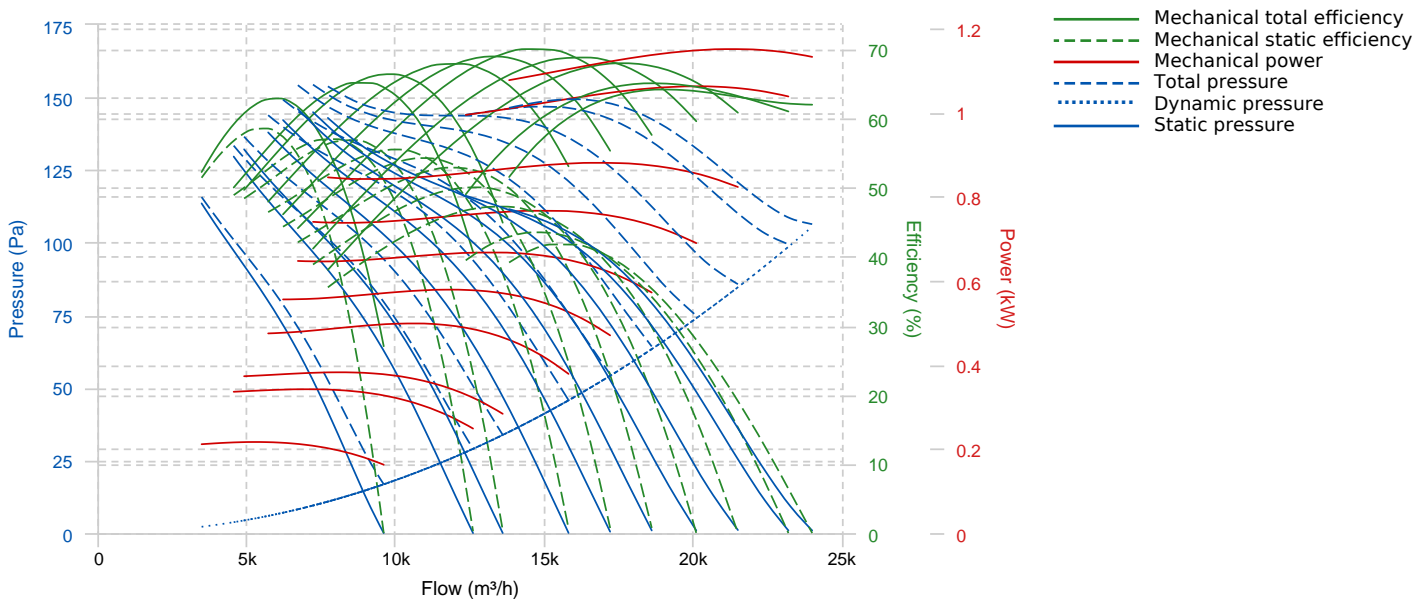
- Smoke emergency exhaust with motor inside the hazardous area and high pressures needed.
- Maximum working temperature: 60°C.

UNDER REQUEST:

- Supply impeller (air direction from impeller to motor)
- 100% reversible impeller.

Official homologation by the European laboratory APPLUS according to EN 12101-3:2015 Certification Nr: 0370-CPR-2404

PERFORMANCE CURVE

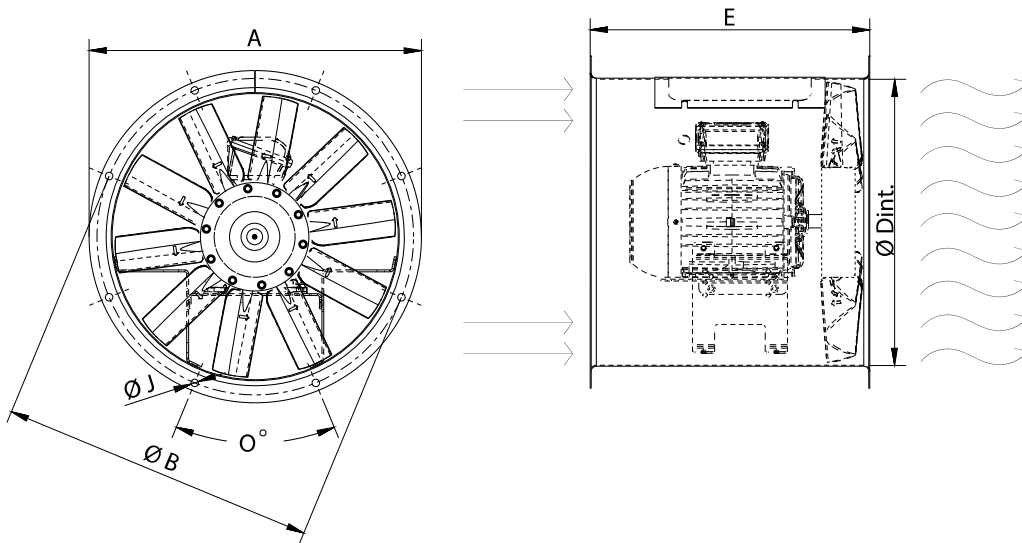


TECHNICAL DATA

Fan

RPM	-	Approx. weight	-	Max. Flow	24010 m ³ /h
-----	---	----------------	---	-----------	-------------------------

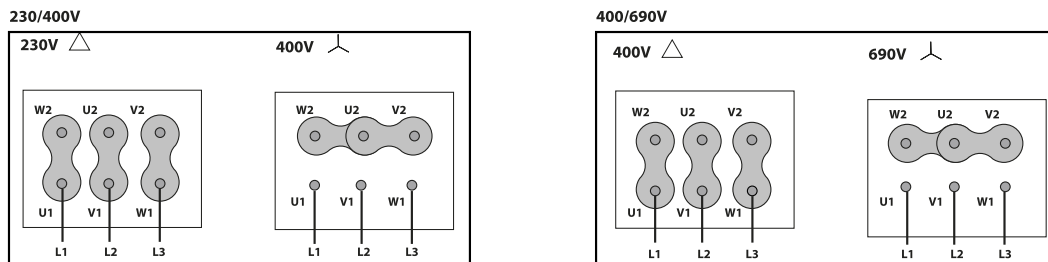
DIMENSIONS



Dimensions (mm)

E	600	O	16x22,5°	ØA	892	ØB	860	ØD	801
ØJ	12								

WIRING DIAGRAM



ACCESSORIES



PROTECTION GUARD FOR LONG CASE FANS RP 80



CASE FANS MOUNTING SUPPORT MFLCA 80



**CONNECTION FLANGE
AC 800**



**CIRCULAR-CIRCULAR ANTI-VIBRATION FLANGE
BAD 17**



**SAFETY SWITCH
INT (GENERIC)**



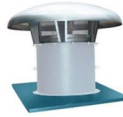
**FREQUENCY SPEED CONTROLLER
SFC (GENERIC)**



**CIRCULAR SILENCER
SIL-C 800/800**



**ANTI-VIBRATING FLANGE 400°/2H
BA-400 80**



**AXIAL ROOF FAN KIT - METALLIC
KIT ARFM 80**



**SAFETY SWITCH FOR 400°C/2h
INT F400 (GENERIC)**



**ANTI-VIBRATION SPRING BLOCK
AVS (GENERIC)**