

WMAX FIRE 50 T4 (A5:6) F400

GENERAL DATA



WALL-MOUNTED AXIAL DIRECT DRIVE ATEX SMOKE FAN WITH CAST ALUMINUM IMPELLER - ATEX 400°C/2h

MANUFACTURING FEATURES

- Axial fan with circular reinforced frame.
- Modular motor-impeller assembly.
- Cast aluminum impeller with variable pitch angle.
- Polyester powder finishing coat.
- Standard asynchronous squirrel cage motor with IP-55 protection and Class H insulation certified 400°C/2h and ATEX. Standard voltages 230/400V 50Hz in three phase motors up to 4kW and 400/690V 50Hz for higher powers.
- ATEX certified II 3G EX-ed IIC T3 Gc & II 3D EX-tc IIB T125 Dc

APPLICATIONS

Designed for wall or duct installation, they are suitable for:

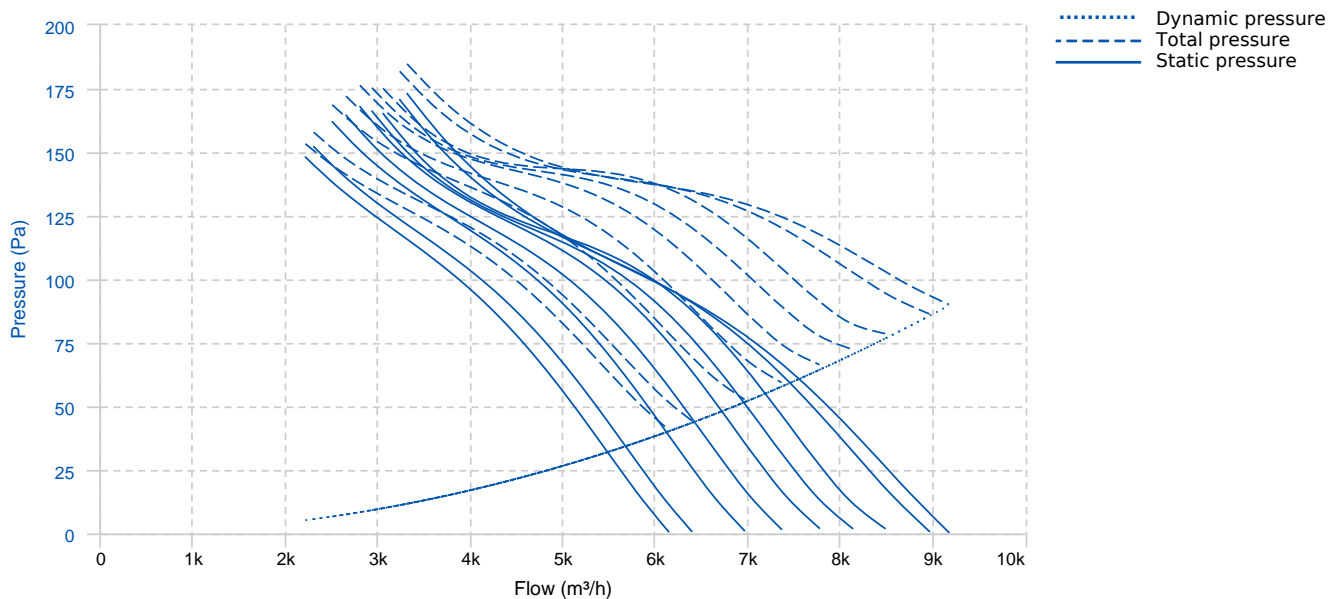
- Smoke emergency exhaust with motor inside the hazardous area and high pressures needed.
- Maximum working temperature: 60°C.

UNDER REQUEST

- B Form impeller (air flow from impeller to motor).
- 100% reversible impeller.

Official homologation by the European laboratory APPLUS according to EN 12101-3:2015
Certification Nr: 0370-CPR-2271

PERFORMANCE CURVE

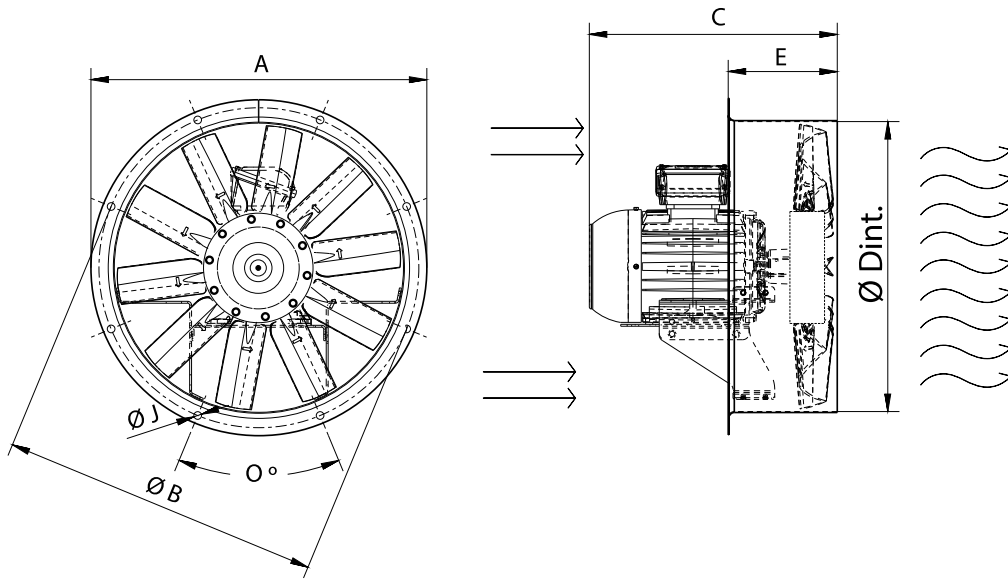


TECHNICAL DATA

Fan

RPM	-	Approx. weight	-	Max. Flow	9180 m ³ /h
-----	---	----------------	---	-----------	------------------------

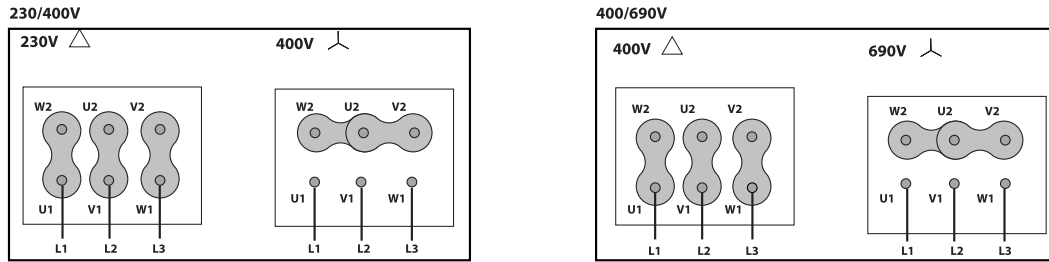
DIMENSIONS



Dimensions (mm)

C (Mot.T.71)	338	C (Mot.T.80)	350	C (Mot.T.90L)	387	C (Mot.T.90S)	362	C (Mot.T.100L)	421
E	165	O	12x30°	ØA	600	ØB	560	ØD	504
ØJ	12								

WIRING DIAGRAM



ACCESSORIES



**CONNECTION FLANGE
AC 500**



**SQUARE MOUNTING FRAME FOR WMAP FANS
SFO 50**



**ALUMINIUM GRAVITY SHUTTER
PC2 50**



**SAFETY SWITCH
INT (GENERIC)**



**FREQUENCY SPEED CONTROLLER
SFC (GENERIC)**



**ANTI-VIBRATING FLANGE 400°/2H
BA-400 50**



**Outlet protection guard for axial fans
RPO 500**



**CIRCULAR-CIRCULAR ANTI-VIBRATION FLANGE
BAD 13**



**SAFETY SWITCH FOR 400°C/2h
INT F400 (GENERIC)**