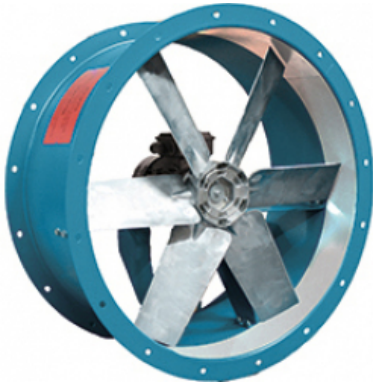


## SCAX FIRE 112 T6 (A3:8) F400

### GENERAL DATA



#### SHORT CASED AXIAL DIRECT DRIVE ATEX SMOKE FAN WITH CAST ALUMINUM IMPELLER - ATEX 400°C/2h

##### MANUFACTURING FEATURES:

- Axial fan short casing with circular reinforced frame.
- Modular motor-impeller assembly.
- Cast aluminum impeller with variable pitch angle.
- Polyester powder finishing coat.
- Standard asynchronous squirrel-cage motor with IP-55 protection and Class H insulation certified 400°C/2H and ATEX. Manufactured with standard voltages: 230/400V 50Hz in three phase motors up to 4kW and 400/690V 50Hz for higher powers.
- ATEX certified II 3G EX-ed IIC T3 Gc & II 3D EX-tc IIB T125 Dc

##### APPLICATIONS:

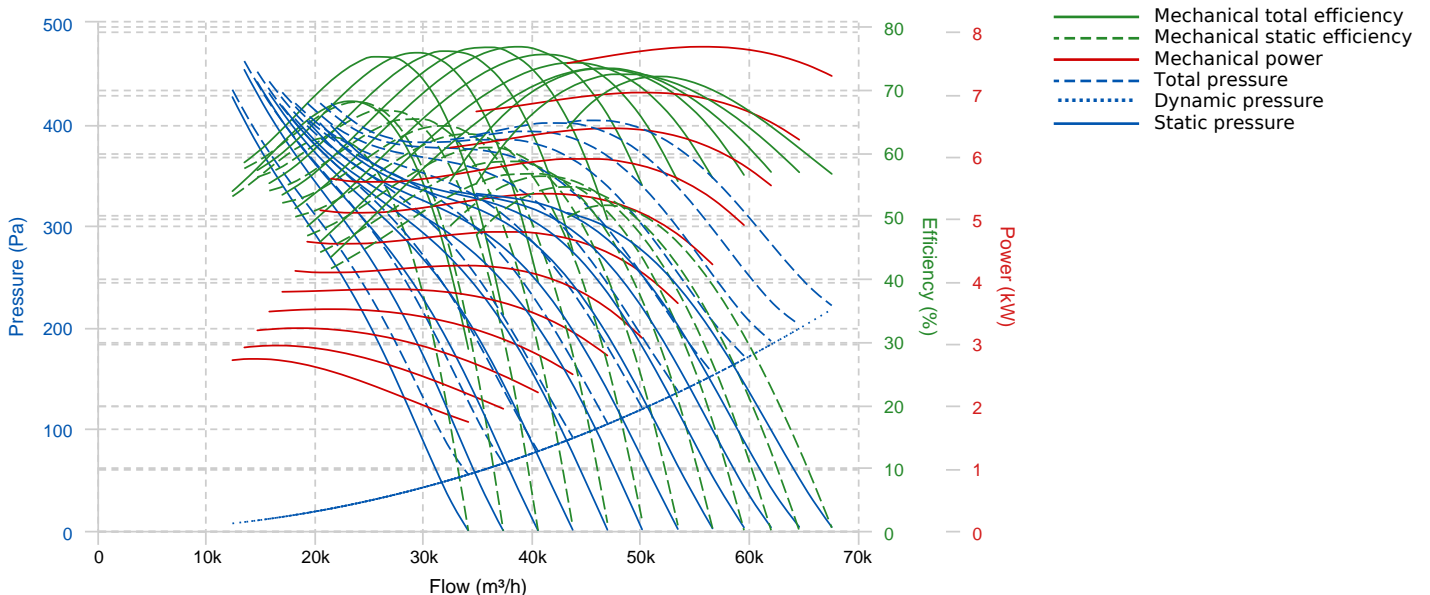
- Designed for inline installation, they are suitable for:
- Smoke emergency exhaust with motor inside the hazardous area.
  - Maximum working temperature: 60°C.

##### UNDER REQUEST:

- Supply impeller (air direction from impeller to motor).
- 100% reversible impeller.

Official homologation by the European laboratory APPLUS according to EN 12101-3:2015 Certification Nr: 0370-CPR-2270

### PERFORMANCE CURVE

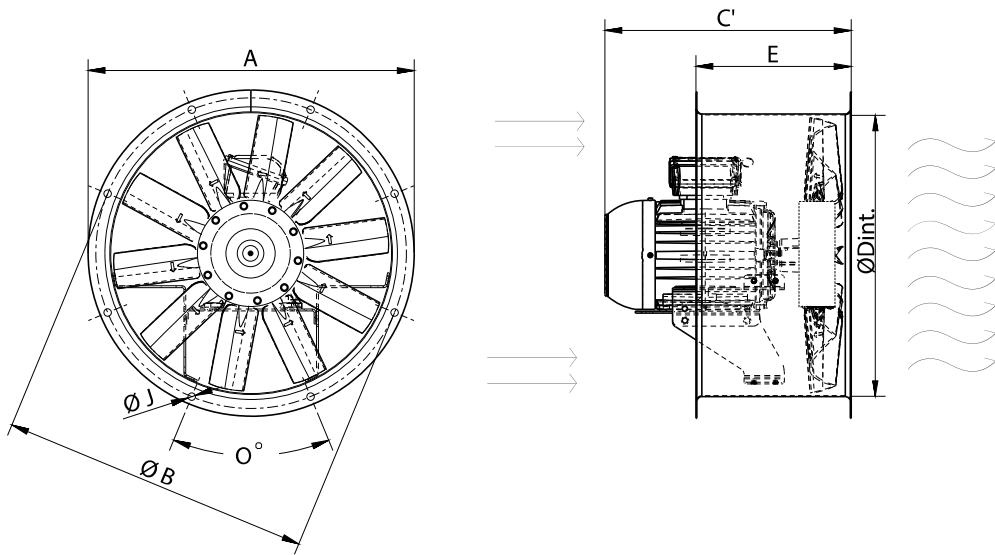


## TECHNICAL DATA

### Fan

RPM	-	Approx. weight	-	Max. Flow	67610 m <sup>3</sup> /h
-----	---	----------------	---	-----------	-------------------------

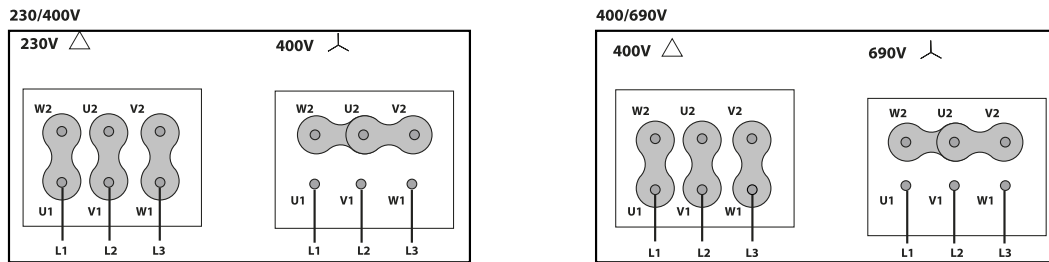
## DIMENSIONS



### Dimensions (mm)

C' (Mot.T. 132)	765	C' (Mot.T. 160L)	772	C' (Mot.T. 160M)	765	C' (Mot.T. 180L)	804	C' (Mot.T. 180M)	766
C' (Mot.T. 200)	869	C' (Mot.T. 225)	954	E	500	O	16x22,5°	ØA	1234
ØB	1190	ØD	1132	Øj	12				

## WIRING DIAGRAM



## ACCESSORIES



**CASE FANS MOUNTING SUPPORT**  
MFLCA 112



**PROTECTION GUARD FOR LONG CASE FANS**  
RP 112



**CONNECTION FLANGE**  
AC 1120



**SAFETY SWITCH FOR 400°C/2h**  
INT F400 (GENERIC)



**ANTI-VIBRATION SPRING BLOCK**  
AVS (GENERIC)



**ANTI-VIBRATING FLANGE 400°/2H**  
BA-400 112



**CIRCULAR-CIRCULAR ANTI-VIBRATION FLANGE**  
BAD 20



**SAFETY SWITCH**  
INT (GENERIC)



**FREQUENCY SPEED CONTROLLER**  
SFC (GENERIC)



**CIRCULAR SILENCER**  
SIL-C 1120/1120