

SCA 45 T4/T8 (A0:6)

GENERAL DATA



SHORT CASED AXIAL DIRECT DRIVE FAN WITH CAST ALUMINUM IMPELLER

MANUFACTURING FEATURES:

- Plate axial fan with circular reinforced frame.
 - Modular motor-impeller assembly.
 - Cast aluminum impeller with variable pitch angle.
 - Polyester powder finishing coat.
 - Standard asynchronous squirrel-cage motor with IP-55 protection and Class F insulation.
- Manufactured with standard voltages: 230V 50Hz in single phase motors and 230/400V 50Hz in three phase motors up to 4kW and 400/690V 50Hz for higher powers.

APPLICATIONS:

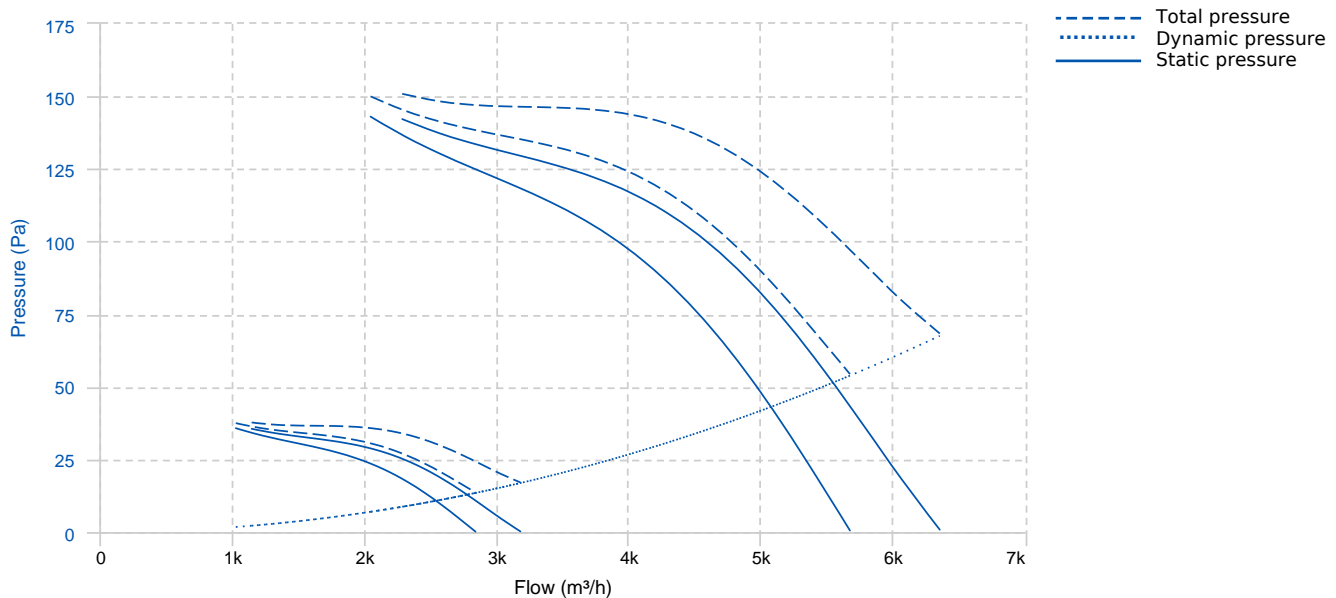
Designed for wall or duct installation, they are suitable for:

- Air renewal in buildings and industries.
- Smoke exhaust (maximum 50-60°C).
- Maximum working temperature: 50°C single phase, 60°C three phase.

UNDER REQUEST:

- Supply impeller (air direction from impeller to motor), 100% reversible impeller.
- 60Hz fans and special voltages.
- Hot-dipped galvanized or stainless steel housing.
- Optional can be adapted an square plate to the frame, to transform it in an axial square frame version fan.

PERFORMANCE CURVE

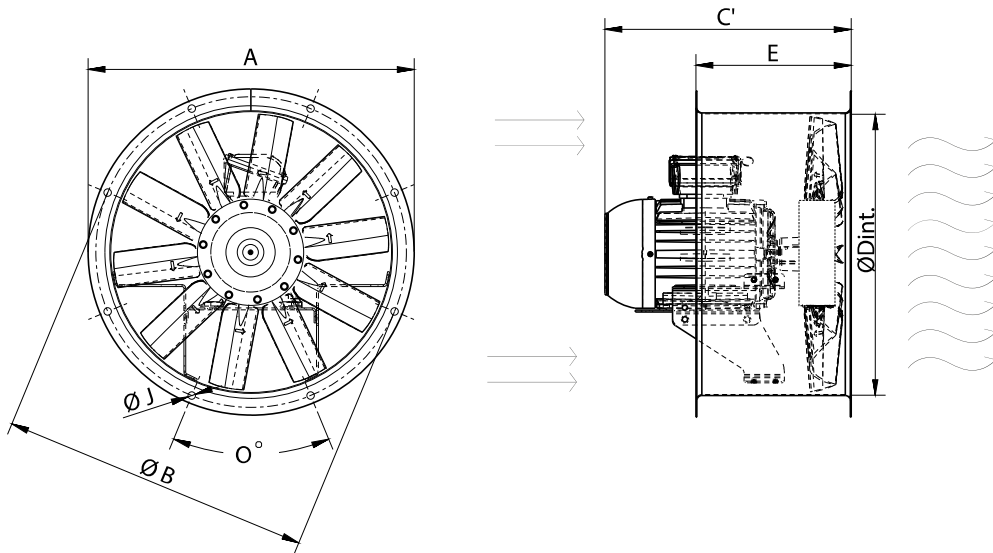


TECHNICAL DATA

Fan

Approx. weight	-	Max. Flow	6360 m³/h
----------------	---	-----------	-----------

DIMENSIONS

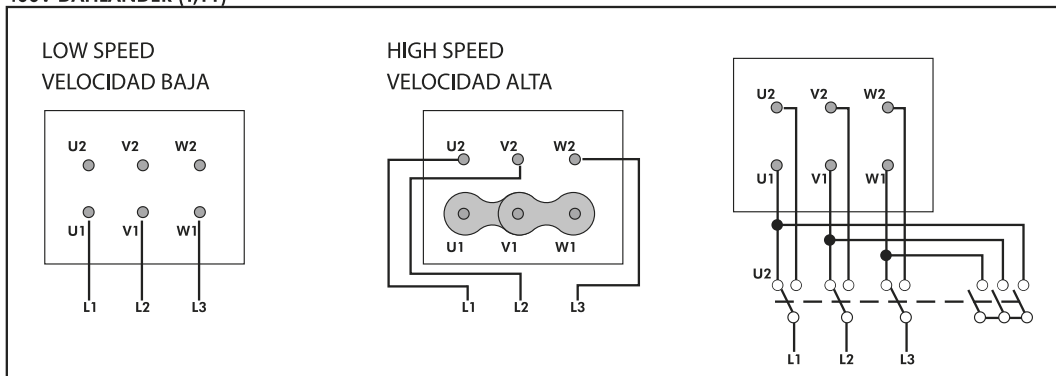


Dimensions (mm)

C' (Mot.T.63)	338	C' (Mot.T.71)	348	C' (Mot.T.80)	357	C' (Mot.T.90L)	397	C' (Mot.T.90S)	372
C' (Mot.T.100L)	428	E	250	O	8X45°	ØA	525	ØB	500
ØD	452	ØJ	12						

WIRING DIAGRAM

400V DAHLANDER (Y,YY)



ACCESSORIES



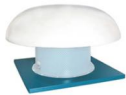
**PROTECTION GUARD FOR LONG CASE FANS
RP 45**



**CONNECTION FLANGE
AC 450**



**CIRCULAR-CIRCULAR ANTI-VIBRATION FLANGE
BAD 12**



**AXIAL ROOF FAN KIT
KIT ARF 45**



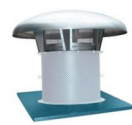
**ANTI-VIBRATION SPRING BLOCK
AVS (GENERIC)**



**CASE FANS MOUNTING SUPPORT
MFLCA 45**



**ANTI-VIBRATING FLANGE 400^ø/2H
BA-400 45**



**AXIAL ROOF FAN KIT - METALLIC
KIT ARFM 45**



**SAFETY SWITCH
INT (GENERIC)**



**CIRCULAR SILENCER
SIL-C 450/450**