

WMAP 80 T4/T8 (A5:6)

GENERAL DATA



WALL-MOUNTED AXIAL DIRECT DRIVE FAN WITH POLYPROPYLENE OR POLYAMIDE IMPELLER

MANUFACTURING FEATURES:

- Plate axial fan with circular reinforced frame.
- Modular motor-impeller assembly.
- Polypropylene impeller (A2 profile) or polyamide impeller reinforced with fibreglass (other profiles) with variable pitch angle.
- Polyester powder finishing coat.
- Standard asynchronous squirrel-cage motor with IP-55 protection and Class F insulation. Manufactured with standard voltages: 230V 50Hz in single phase motors and 230/400V 50Hz in three phase, motors up to 4kW and 400/690V 50Hz for higher powers.

APPLICATIONS:

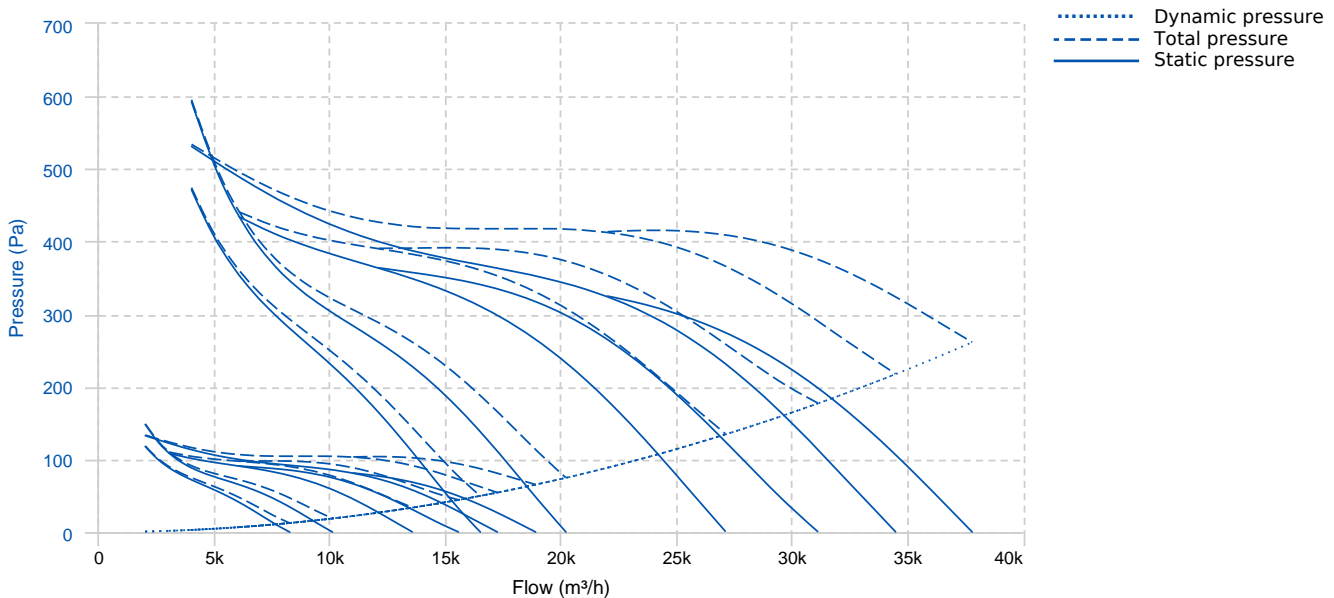
Designed for wall or duct installation, they are suitable for:

- Air renewal in buildings and industries.
- Maximum working temperature: 1ph 50°C, 3ph 60°C.

UNDER REQUEST:

- Supply impeller (air direction from impeller to motor)
- 100% reversible impeller.
- 60Hz fans and special voltages.
- Hot-dipped galvanized or stainless steel housing.

PERFORMANCE CURVE

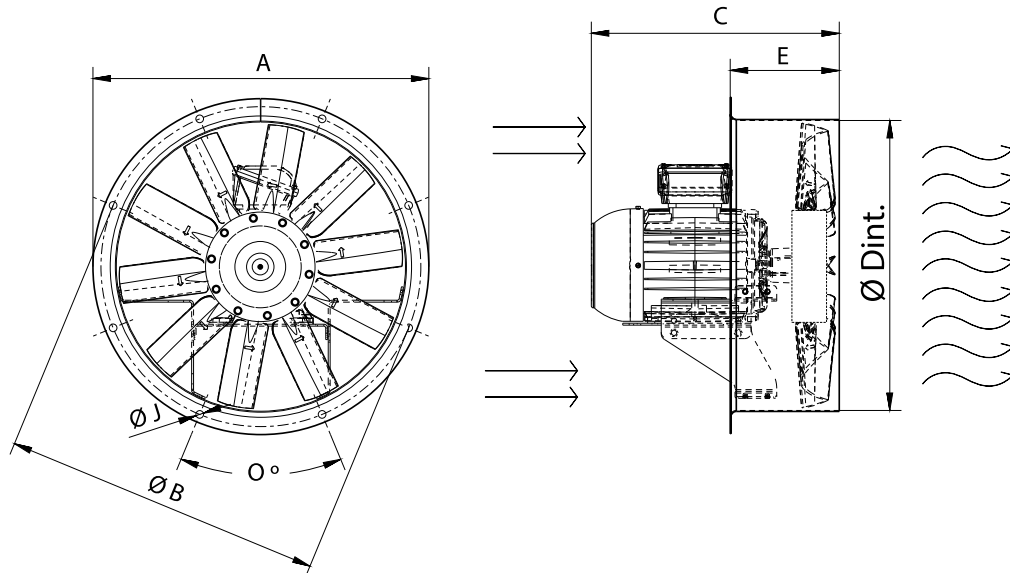


TECHNICAL DATA

Fan

Approx. weight	-	Max. Flow	37780 m³/h
----------------	---	-----------	------------

DIMENSIONS

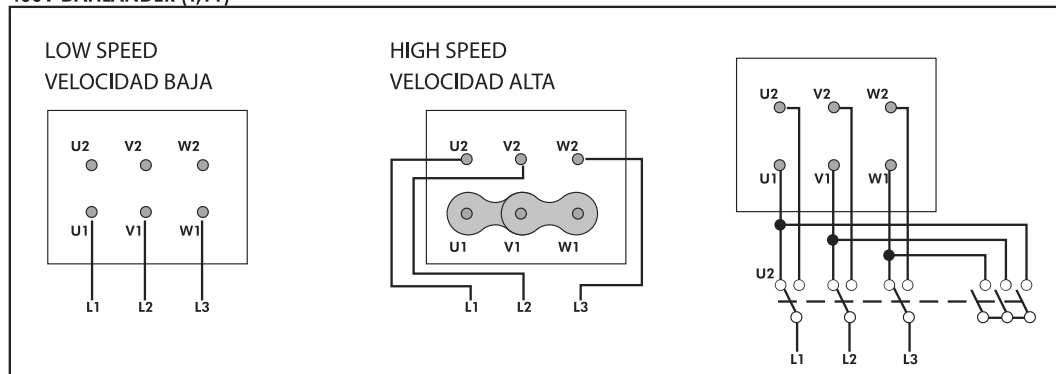


Dimensions (mm)

C (Mot.T.90L)	427	C (Mot.T.90S)	427	C (Mot.T.100L)	463	C (Mot.T.112M)	469	C (Mot.T.132M)	563
C (Mot.T.132S)	525	E	220	O	16x22,5°	ØA	892	ØB	860
ØD	801	ØJ	12						

WIRING DIAGRAM

400V DAHLANDER (Y,YY)



ACCESSORIES



**Outlet protection guard for axial fans
RP0 80**



**CONNECTION FLANGE
AC 800**



**ANTI-VIBRATING FLANGE 400°/2H
BA-400 80**



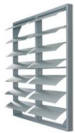
**SQUARE MOUNTING FRAME FOR WMAP FANS
SFO 80**



**ALUMINIUM GRAVITY SHUTTER
PC2 80**



**CIRCULAR-CIRCULAR ANTI-VIBRATION FLANGE
BAD 17**



**PLASTIC GRAVITY SHUTTER
PCP 80**



**SAFETY SWITCH
INT (GENERIC)**