

WMA 45 M4 (A0:6)

GENERAL DATA



WALL-MOUNTED AXIAL DIRECT DRIVE FAN WITH CAST ALUMINUM IMPELLER

MANUFACTURING FEATURES:

- Plate axial fan with circular reinforced frame.
 - Modular motor-impeller assembly.
 - Cast aluminum impeller with variable pitch angle.
 - Polyester powder finishing coat.
 - Standard asynchronous squirrel-cage motor with IP-55 protection and Class F insulation.
- Manufactured with standard voltages: 230V 50Hz in single phase motors and 230/400V 50Hz in three phase, motors up to 4kW and 400/690V 50Hz for higher powers.

APPLICATIONS:

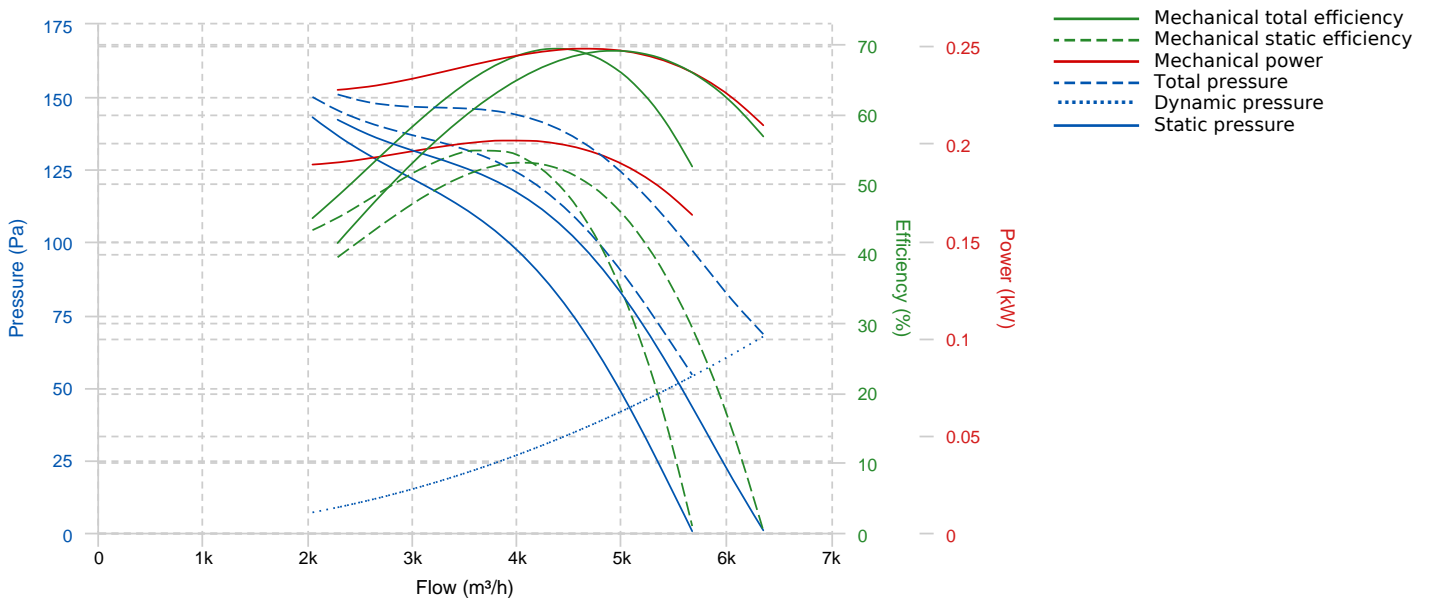
Designed for wall or duct installation, they are suitable for:

- Air renewal in buildings and industries.
- Maximum working temperature: 1ph 50°C, 3ph 60°C.

UNDER REQUEST:

- Supply impeller (air direction from impeller to motor)
- 100% reversible impeller.
- 60Hz fans and special voltages.
- Hot-dipped galvanized or stainless steel housing.

PERFORMANCE CURVE

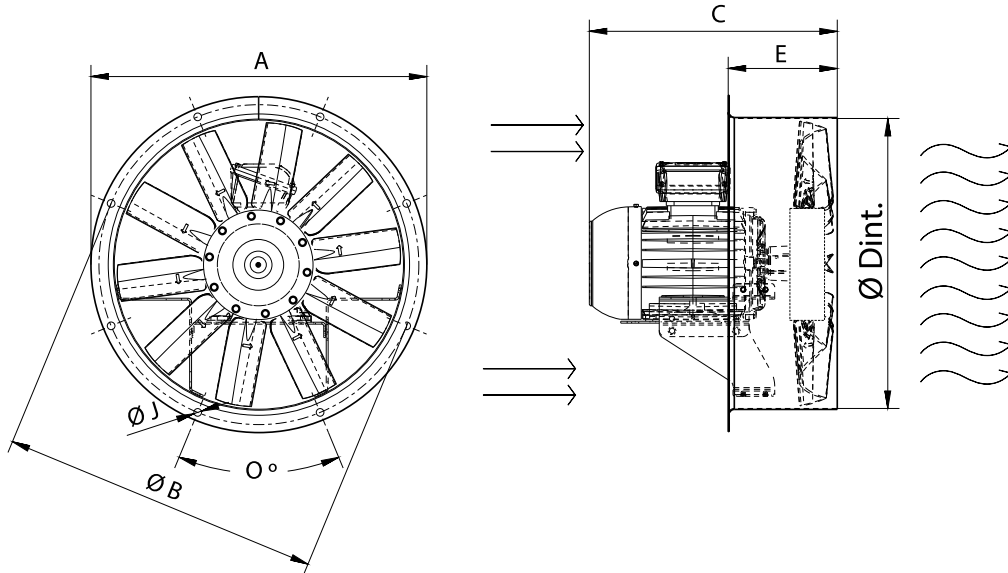


TECHNICAL DATA

Fan

RPM	-	Approx. weight	-	Max. Flow	6360 m³/h
-----	---	----------------	---	-----------	-----------

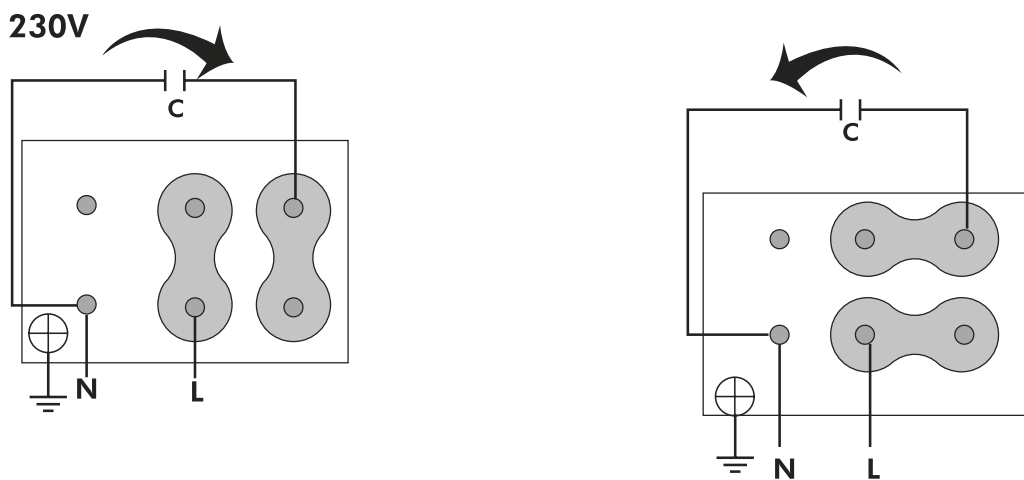
DIMENSIONS



Dimensions (mm)

C (Mot.T.63)	328	C (Mot.T.71)	328	C (Mot.T.80)	347	C (Mot.T.90L)	387	C (Mot.T.90S)	362
C (Mot.T.100L)	418	E	165	O	8X45°	ØA	525	ØB	500
ØD	452	ØJ	12						

WIRING DIAGRAM



ACCESSORIES



**Outlet protection guard for axial fans
RP0 450**



**CONNECTION FLANGE
AC 450**



**ANTI-VIBRATING FLANGE 400°/2H
BA-400 45**



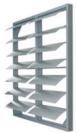
**SQUARE MOUNTING FRAME FOR WMAP FANS
SFO 45**



**ALUMINIUM GRAVITY SHUTTER
PC2 50**



**CIRCULAR-CIRCULAR ANTI-VIBRATION FLANGE
BAD 12**



**PLASTIC GRAVITY SHUTTER
PCP 45**



**SAFETY SWITCH
INT (GENERIC)**