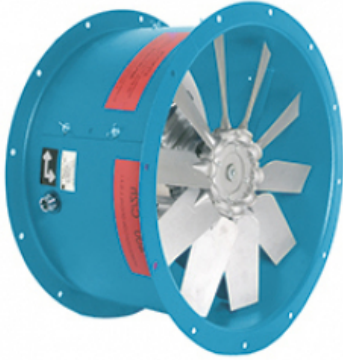


LCA FIRE 56 T2 (A8:9) F400

GENERAL DATA



LONG CASED AXIAL DIRECT DRIVE SMOKE FAN WITH CAST ALUMINUM IMPELLER - 400°C/2h

MANUFACTURING FEATURES:

- Long cased axial fan with reinforced body.
- Modular motor-impeller assembly.
- Cast aluminum impeller with variable pitch angle.
- Polyester powder finishing coat.
- Housing with motor access door for easy connection.
- Standard asynchronous squirrel-cage motor with IP-55 protection and Class H insulation certified 400°C/2h. Manufactured with standard voltages: 230/400V 50Hz in three phase motors up to 3kW and 400/690V 50Hz for higher powers.

APPLICATIONS:

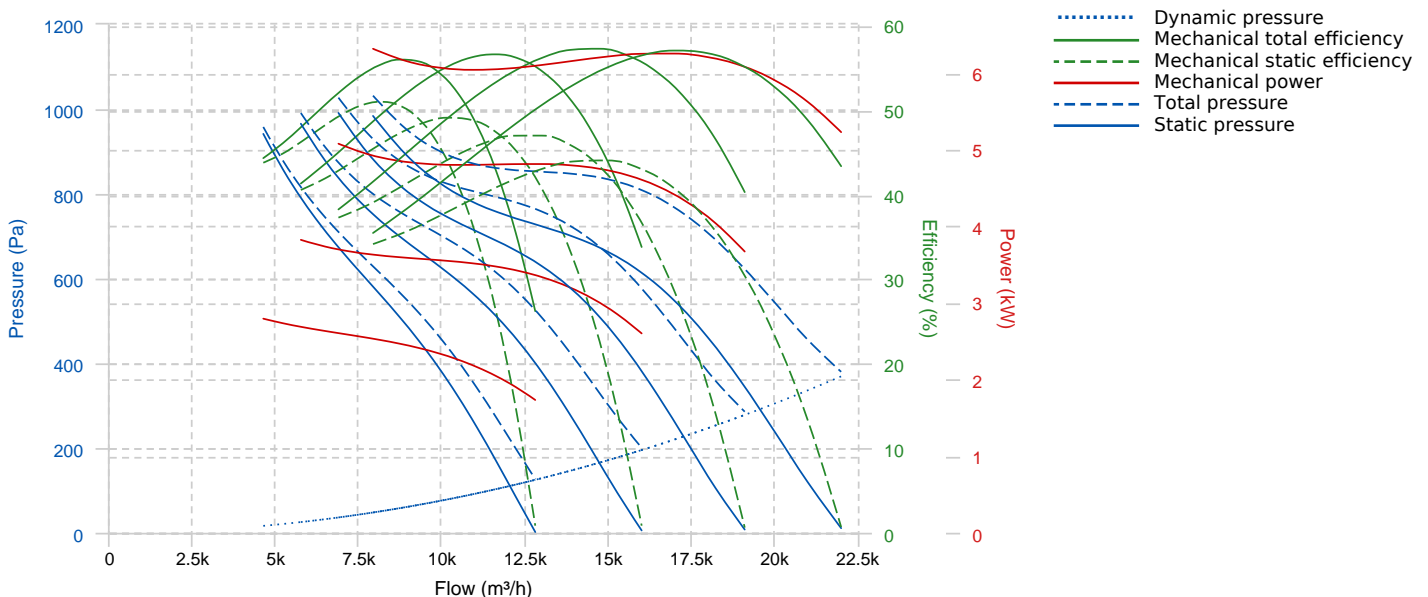
- Designed for inline installation, they are suitable for:
- Smoke emergency exhaust with motor inside the hazardous area.
 - Maximum working temperature: 60°C.

UNDER REQUEST:

- Supply impeller (air direction from impeller to motor).
- 100% reversible impeller.

Official homologation by the European laboratory APPLUS according to EN 12101-3:2015 Certification Nr: 0370-CPR-2269

PERFORMANCE CURVE

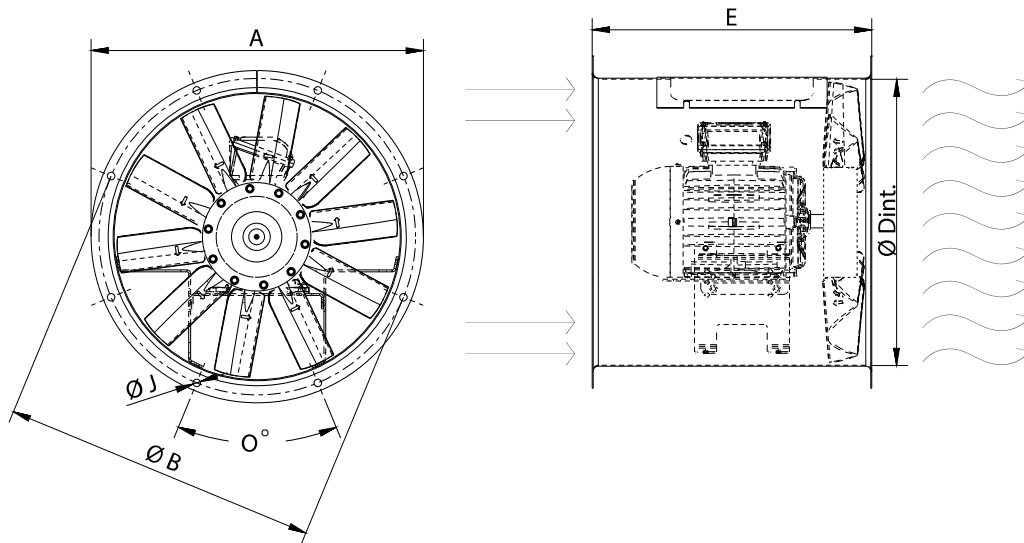


TECHNICAL DATA

Fan

RPM	-	Approx. weight	-	Max. Flow	27410 m ³ /h
-----	---	----------------	---	-----------	-------------------------

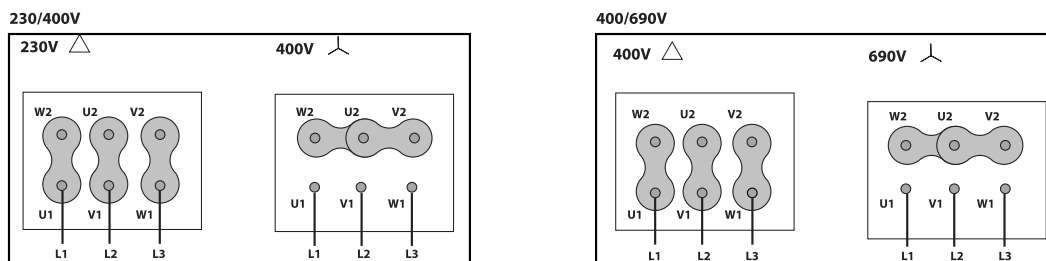
DIMENSIONS



Dimensions (mm)

E	560	O	12x30°	ØA	646	ØB	620	ØD	559
ØJ	12								

WIRING DIAGRAM



ACCESSORIES



**PROTECTION GUARD FOR LONG CASE FANS
RP 56**



**CASE FANS MOUNTING SUPPORT
MFLCA 56**



**CONNECTION FLANGE
AC 560**



**CIRCULAR-CIRCULAR ANTI-VIBRATION FLANGE
BAD 14**



**SAFETY SWITCH
INT (GENERIC)**



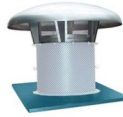
**FREQUENCY SPEED CONTROLLER
SFC (GENERIC)**



**CIRCULAR SILENCER
SIL-C 560/560**



**ANTI-VIBRATING FLANGE 400°/2H
BA-400 56**



**AXIAL ROOF FAN KIT - METALLIC
KIT ARFM 56**



**SAFETY SWITCH FOR 400°C/2h
INT F400 (GENERIC)**



**ANTI-VIBRATION SPRING BLOCK
AVS (GENERIC)**