

BOX CA 71 T6 (A2:6)

GENERAL DATA



AXIAL DIRECT DRIVE FAN WITH CAST ALUMINUM IMPELLER IN SOUNDPROOF CABINET

MANUFACTURING FEATURES:

- BOX: Soundproof galvanised steel box with thermo-acoustic insulation, Bs1d0 fire class. Easy motor access and fan maintenance through removable panels.
- INSIDE FAN: For sizes from 45 to 80 we use model WMA. For larger sizes from 90 to 125 we use model SCA.
- Modular motor-impeller assembly.
- Cast aluminum impeller with variable pitch angle.
- Polyester powder finishing coat.
- Squirrel cage asynchronous standard motor, IP-55 protection and rated class F insulation. Standard voltages 230V 50Hz for single phase motors, 230/400V 50Hz for three phase motors up to 4kW and 400/690V 50Hz for higher powers.

APPLICATIONS:

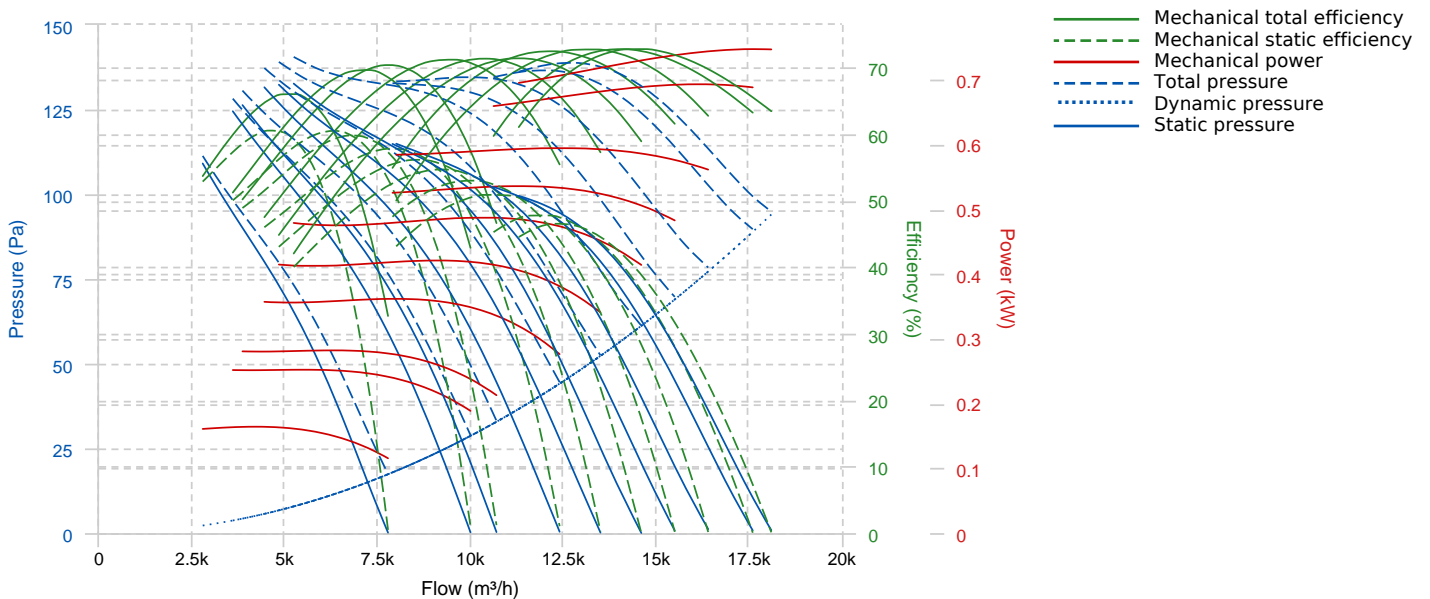
Designed for wall or duct installation, they are suitable for:

- Air renewal in buildings and industries.
- Smoke extraction (max 45-50°C).
- Maximum working temperature: 1ph 50°C, 3ph 60°C.

AVAILABLE ON REQUEST:

- Reversible impeller.
- B form impeller (airflow from impeller to motor)
- 60Hz fans and special voltages.

PERFORMANCE CURVE

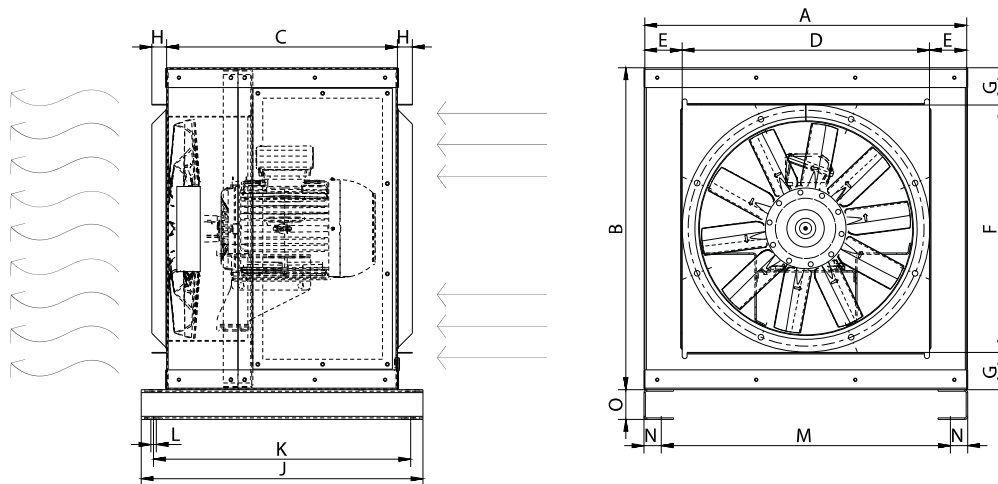


TECHNICAL DATA

Fan

| | | | | | |
|-----|---|----------------|---|-----------|-------------------------|
| RPM | - | Approx. weight | - | Max. Flow | 18110 m ³ /h |
|-----|---|----------------|---|-----------|-------------------------|

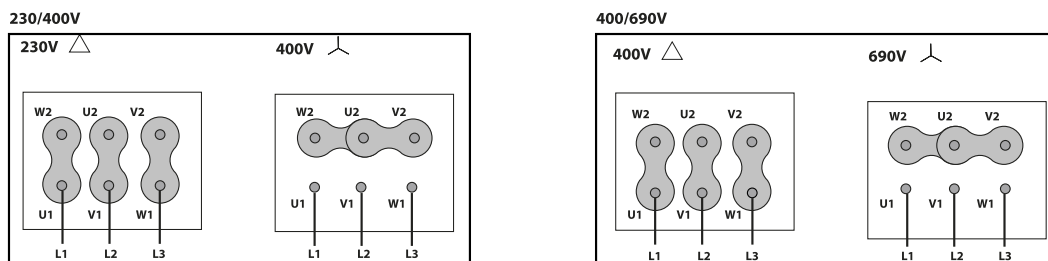
DIMENSIONS



Dimensions (mm)

| | | | | | | | | | |
|---|-------|---|-------|---|-----|---|-----|---|-----|
| A | 951.5 | B | 951.5 | C | 597 | D | 800 | E | 76 |
| F | 800 | G | 76 | H | 30 | J | 705 | K | 650 |
| L | 11 | M | 885 | N | 35 | O | 60 | | |

WIRING DIAGRAM



ACCESSORIES



**FREQUENCY SPEED CONTROLLER
SFC (GENERIC)**



**SAFETY SWITCH
INT (GENERIC)**



**ANTI-VIBRATION SPRING BLOCK
AVS (GENERIC)**