

SCA 90 T4 (A6:6)

GENERAL DATA



SHORT CASED AXIAL DIRECT DRIVE FAN WITH CAST ALUMINUM IMPELLER

MANUFACTURING FEATURES:

- Plate axial fan with circular reinforced frame.
 - Modular motor-impeller assembly.
 - Cast aluminum impeller with variable pitch angle.
 - Polyester powder finishing coat.
 - Standard asynchronous squirrel-cage motor with IP-55 protection and Class F insulation.
- Manufactured with standard voltages: 230V 50Hz in single phase motors and 230/400V 50Hz in three phase motors up to 4kW and 400/690V 50Hz for higher powers.

APPLICATIONS:

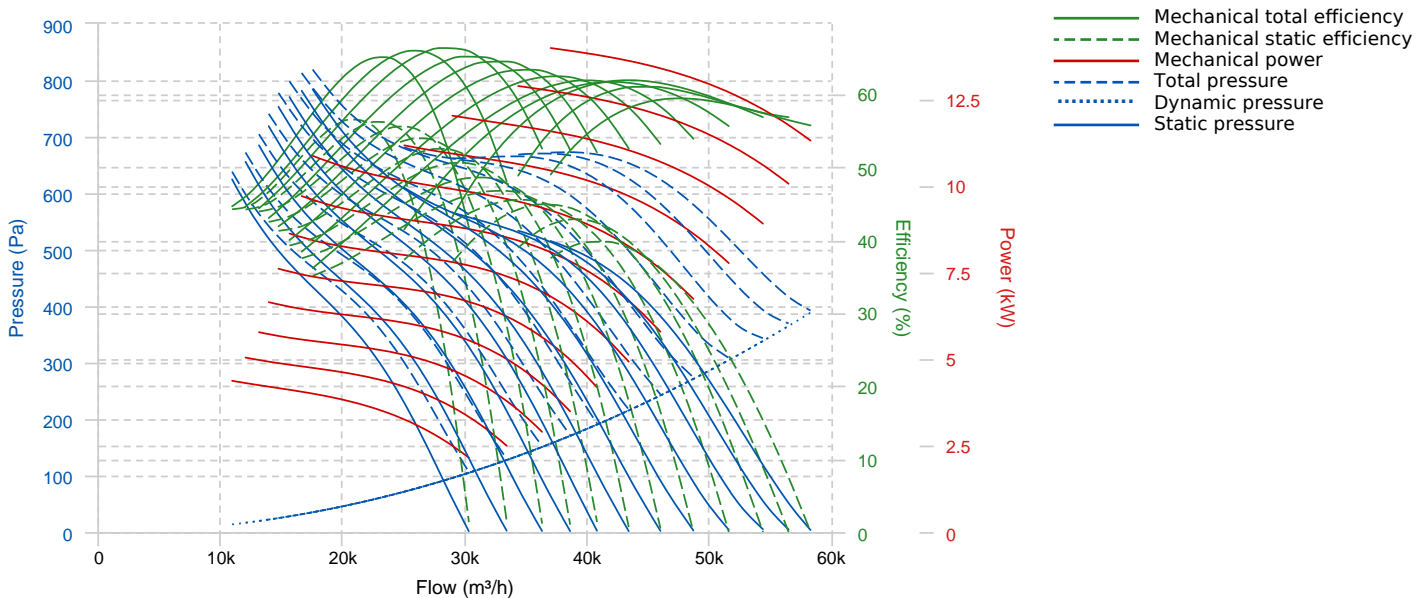
Designed for wall or duct installation, they are suitable for:

- Air renewal in buildings and industries.
- Smoke exhaust (maximum 50-60°C).
- Maximum working temperature: 50°C single phase, 60°C three phase.

UNDER REQUEST:

- Supply impeller (air direction from impeller to motor), 100% reversible impeller.
- 60Hz fans and special voltages.
- Hot-dipped galvanized or stainless steel housing.
- Optional can be adapted an square plate to the frame, to transform it in an axial square frame version fan.

PERFORMANCE CURVE



TECHNICAL DATA

Fan

RPM

-

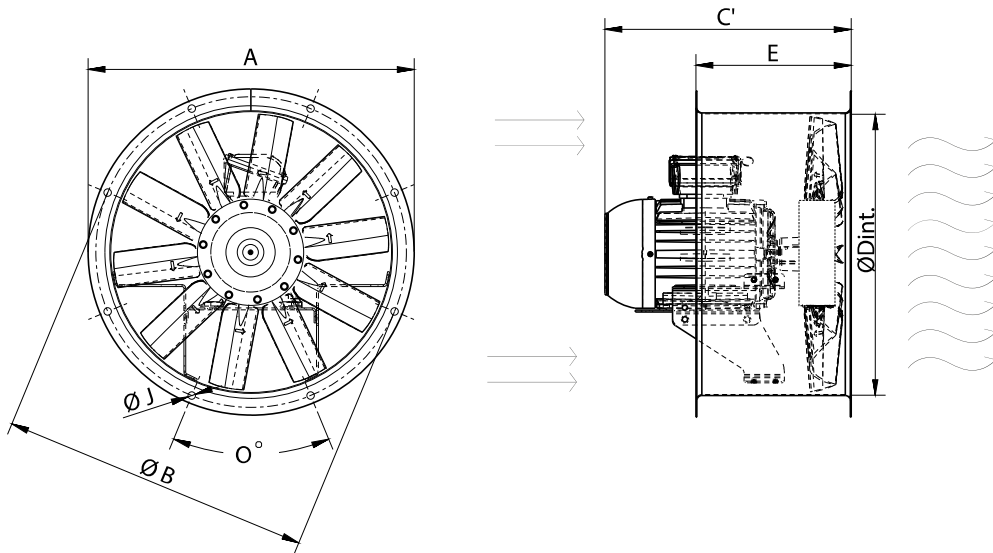
Approx. weight

-

Max. Flow

58310 m³/h

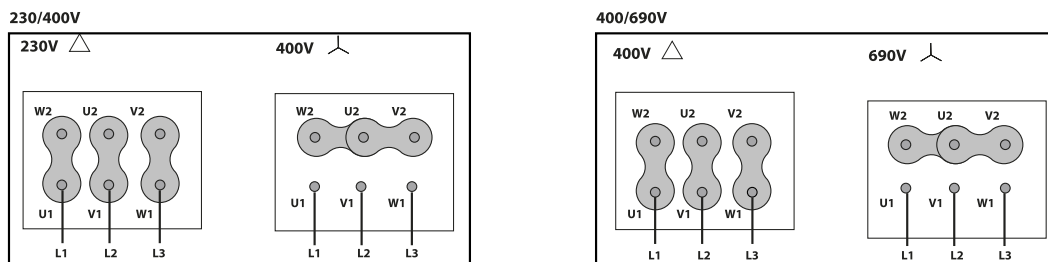
DIMENSIONS



Dimensions (mm)

C' (Mot.T. 100L)	655	C' (Mot.T. 112)	655	C' (Mot.T. 132)	655	C' (Mot.T. 160L)	762	C' (Mot.T. 160M)	718
C' (Mot.T. 180L)	794	C' (Mot.T. 180M)	756	E	425	O	16x22,5 ^ø	ØA	1000
ØB	970	ØD	903.5	ØJ	12				

WIRING DIAGRAM



ACCESSORIES



PROTECTION GUARD FOR LONG CASE FANS RP 90



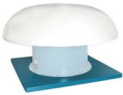
CASE FANS MOUNTING SUPPORT MFLCA 90



**CONNECTION FLANGE
AC 900**



**CIRCULAR-CIRCULAR ANTI-VIBRATION FLANGE
BAD 18**



**AXIAL ROOF FAN KIT
KIT ARF 90**



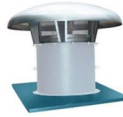
**FREQUENCY SPEED CONTROLLER
SFC (GENERIC)**



**CIRCULAR SILENCER
SIL-C 900/900**



**ANTI-VIBRATING FLANGE 400°/2H
BA-400 90**



**AXIAL ROOF FAN KIT - METALLIC
KIT ARFM 90**



**SAFETY SWITCH
INT (GENERIC)**



**ANTI-VIBRATION SPRING BLOCK
AVS (GENERIC)**