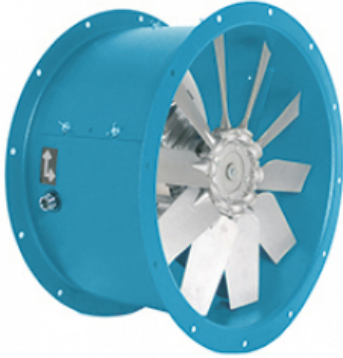


LCA 80 T6 (A5:6)

GENERAL DATA



LONG CASED AXIAL DIRECT DRIVE FAN WITH CAST ALUMINUM IMPELLER

MANUFACTURING FEATURES:

- Reinforced fan casing manufactured in rolling steel sheet.
 - Modular motor-impeller assembly.
 - Cast aluminum impeller with variable pitch angle.
 - Polyester powder finishing coat.
 - Housing with motor access door for easy connection.
 - Standard asynchronous squirrel-cage motor with IP-55 protection and Class F insulation.
- Manufactured with standard voltages: 230V 50Hz in single phase motors and 230/400V 50Hz in three phase motors up to 4kW and 400/690V 50Hz for higher powers.

APPLICATIONS:

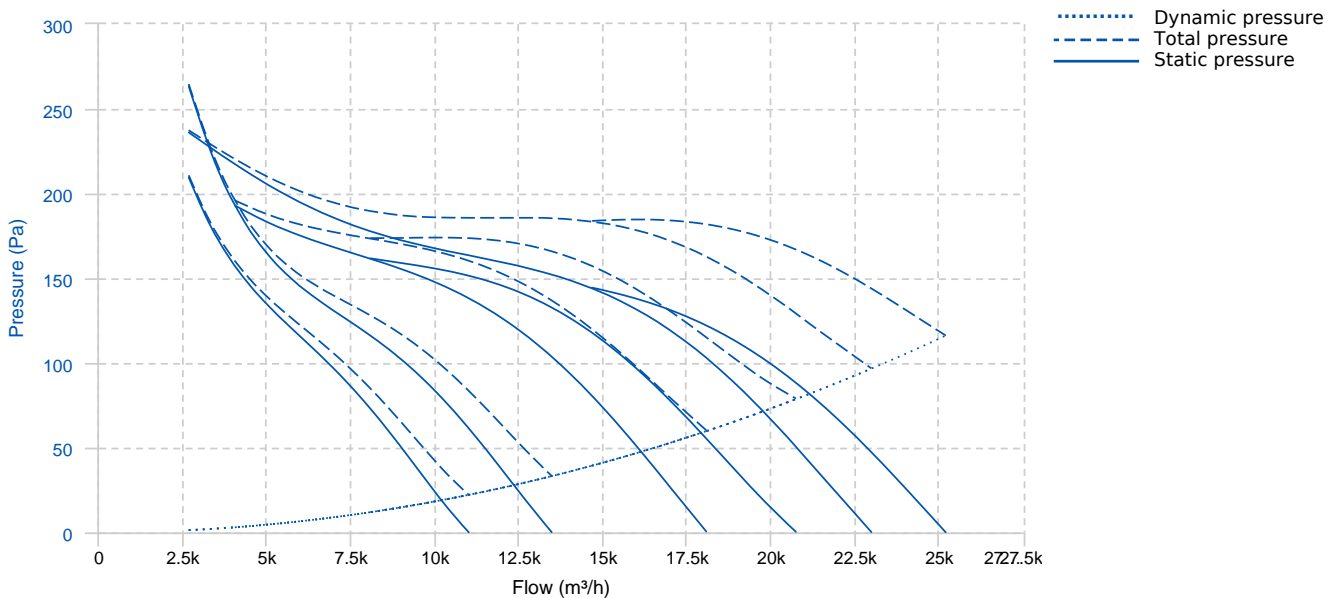
Designed for inline installation, they are suitable for:

- Air renewal in buildings and industries.
- Smoke extraction (max 50-60°C).
- Maximum working temperature: 1ph 50°C, 3ph 60°C.

UNDER REQUEST:

- 100% reversible impeller.
- 60Hz fans and special voltages.
- Hot-dipped galvanised or stainless steel housing.

PERFORMANCE CURVE

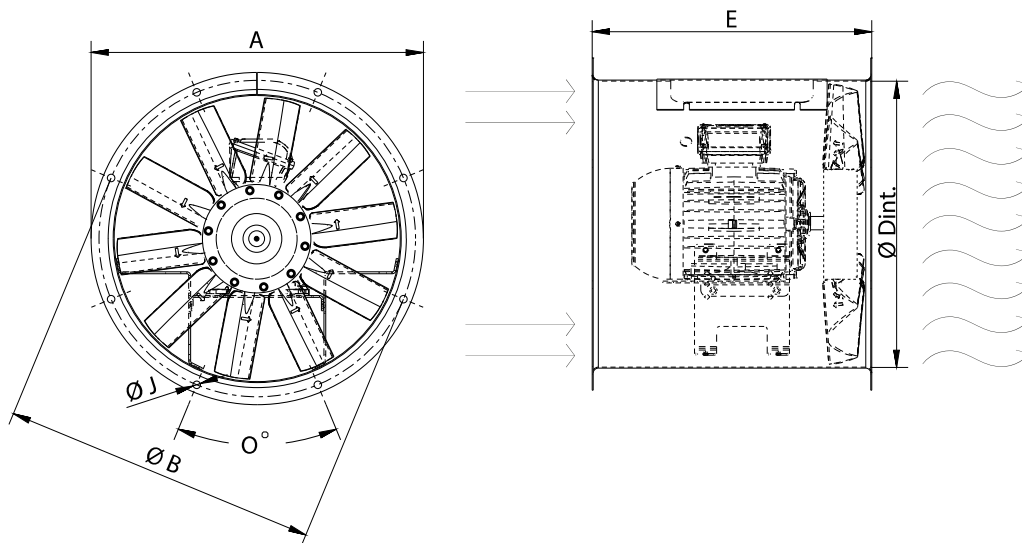


TECHNICAL DATA

Fan

RPM	-	Approx. weight	-	Max. Flow	25190 m³/h
-----	---	----------------	---	-----------	------------

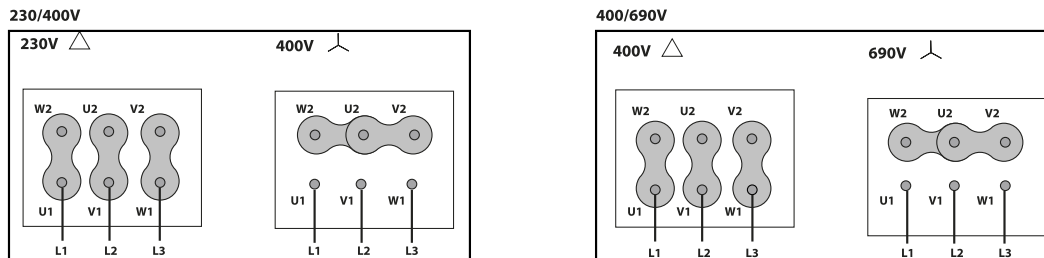
DIMENSIONS



Dimensions (mm)

E	600	0	16x22,5°	ØA	892	ØB	860	ØD	801
ØJ	12								

WIRING DIAGRAM



ACCESSORIES



**PROTECTION GUARD FOR LONG CASE FANS
RP 80**



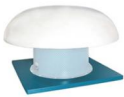
**CASE FANS MOUNTING SUPPORT
MFLCA 80**



**CONNECTION FLANGE
AC 800**



**CIRCULAR-CIRCULAR ANTI-VIBRATION FLANGE
BAD 17**



**AXIAL ROOF FAN KIT
KIT ARF 80**



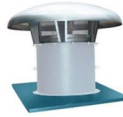
**FREQUENCY SPEED CONTROLLER
SFC (GENERIC)**



**CIRCULAR SILENCER
SIL-C 800/800**



**ANTI-VIBRATING FLANGE 400°/2H
BA-400 80**



**AXIAL ROOF FAN KIT - METALLIC
KIT ARFM 80**



**SAFETY SWITCH
INT (GENERIC)**



**ANTI-VIBRATION SPRING BLOCK
AVS (GENERIC)**