

WMAP 56 T6 (A2:6)

GENERAL DATA



WALL-MOUNTED AXIAL DIRECT DRIVE FAN WITH POLYPROPYLENE OR POLYAMIDE IMPELLER

MANUFACTURING FEATURES:

- Plate axial fan with circular reinforced frame.
- Modular motor-impeller assembly.
- Polypropylene impeller (A2 profile) or polyamide impeller reinforced with fibreglass (other profiles) with variable pitch angle.
- Polyester powder finishing coat.
- Standard asynchronous squirrel-cage motor with IP-55 protection and Class F insulation. Manufactured with standard voltages: 230V 50Hz in single phase motors and 230/400V 50Hz in three phase, motors up to 4kW and 400/690V 50Hz for higher powers.

APPLICATIONS:

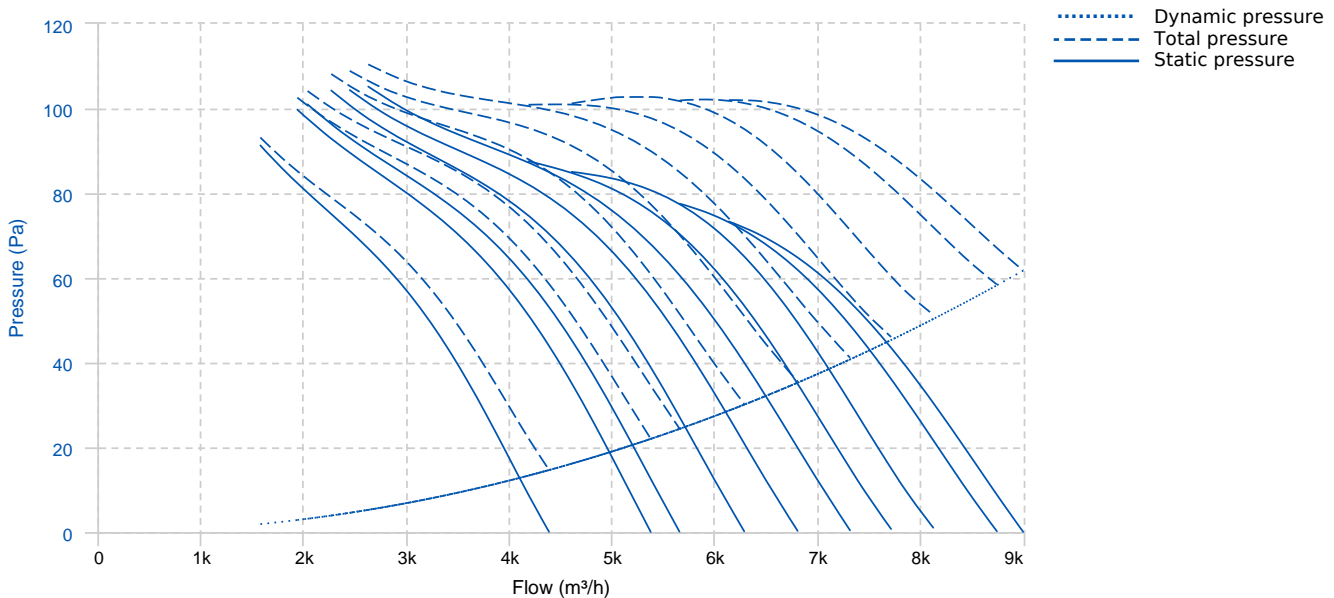
Designed for wall or duct installation, they are suitable for:

- Air renewal in buildings and industries.
- Maximum working temperature: 1ph 50°C, 3ph 60°C.

UNDER REQUEST:

- Supply impeller (air direction from impeller to motor)
- 100% reversible impeller.
- 60Hz fans and special voltages.
- Hot-dipped galvanized or stainless steel housing.

PERFORMANCE CURVE



TECHNICAL DATA

Fan

RPM

-

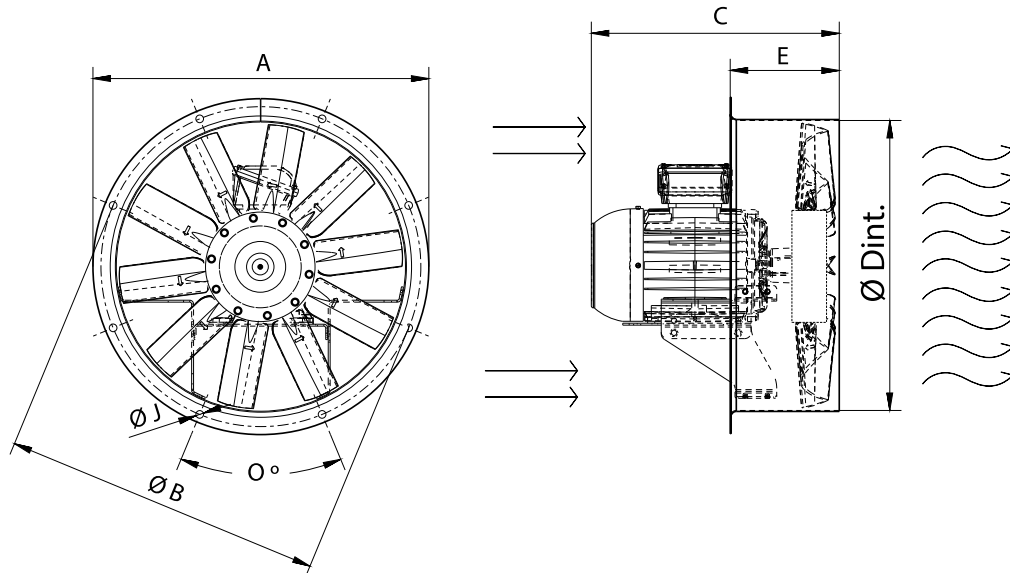
Approx. weight

-

Max. Flow

9000 m³/h

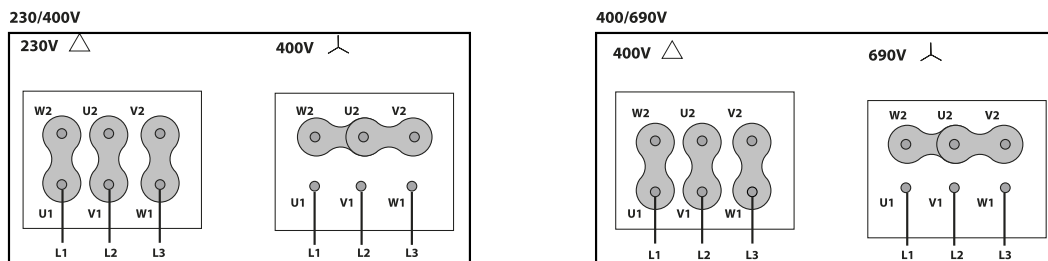
DIMENSIONS



Dimensions (mm)

C (Mot.T.71)	338	C (Mot.T.80)	352	C (Mot.T.90L)	387	C (Mot.T.90S)	362	C (Mot.T.100L)	423
E	175	O	12X30 ^º	ØA	646	ØB	620	ØD	559
ØJ	12								

WIRING DIAGRAM



ACCESSORIES



**Outlet protection guard for axial fans
RP0 560**



**CONNECTION FLANGE
AC 560**



**ANTI-VIBRATING FLANGE 400°/2H
BA-400 56**



**ALUMINIUM GRAVITY SHUTTER
PC2 60**



**PLASTIC GRAVITY SHUTTER
PCP 56**



**FREQUENCY SPEED CONTROLLER
SFC (GENERIC)**



**SQUARE MOUNTING FRAME FOR WMAP FANS
SFO 56**



**CIRCULAR-CIRCULAR ANTI-VIBRATION FLANGE
BAD 14**



**SAFETY SWITCH
INT (GENERIC)**