

WMAP 35 T4 (A0:6)

GENERAL DATA



WALL-MOUNTED AXIAL DIRECT DRIVE FAN WITH POLYPROPYLENE OR POLYAMIDE IMPELLER

MANUFACTURING FEATURES:

- Plate axial fan with circular reinforced frame.
- Modular motor-impeller assembly.
- Polypropylene impeller (A2 profile) or polyamide impeller reinforced with fibreglass (other profiles) with variable pitch angle.
- Polyester powder finishing coat.
- Standard asynchronous squirrel-cage motor with IP-55 protection and Class F insulation. Manufactured with standard voltages: 230V 50Hz in single phase motors and 230/400V 50Hz in three phase, motors up to 4kW and 400/690V 50Hz for higher powers.

APPLICATIONS:

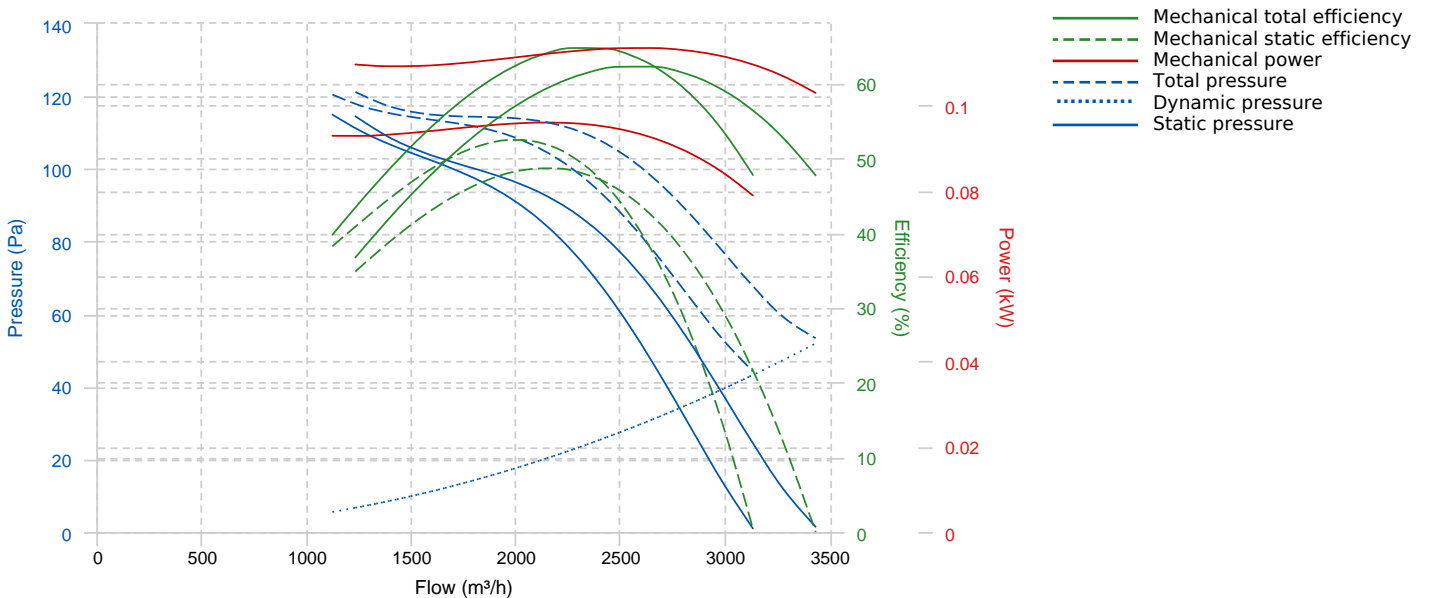
Designed for wall or duct installation, they are suitable for:

- Air renewal in buildings and industries.
- Maximum working temperature: 1ph 50°C, 3ph 60°C.

UNDER REQUEST:

- Supply impeller (air direction from impeller to motor)
- 100% reversible impeller.
- 60Hz fans and special voltages.
- Hot-dipped galvanized or stainless steel housing.

PERFORMANCE CURVE

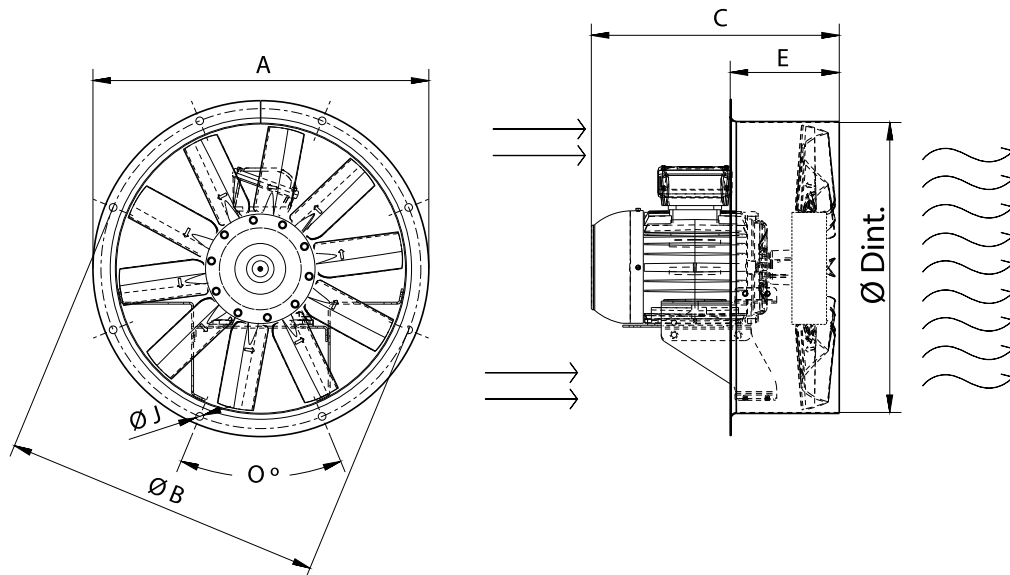


TECHNICAL DATA

Fan

RPM	-	Approx. weight	-	Max. Flow	3440 m³/h
-----	---	----------------	---	-----------	-----------

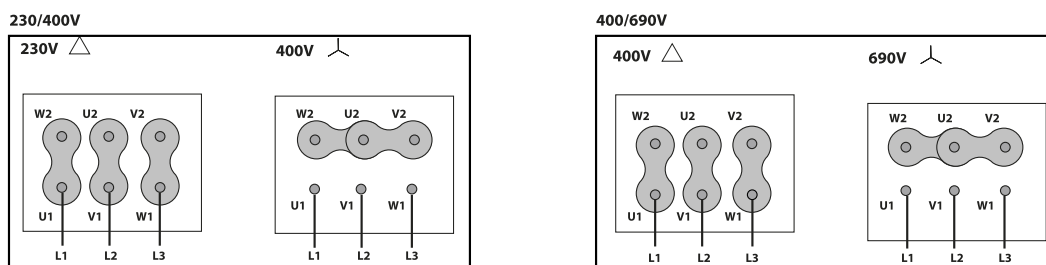
DIMENSIONS



Dimensions (mm)

C (Mot.T.63)	303	C (Mot.T.71)	306	C (Mot.T.80)	335	E	150	O	8x45°
ØA	434	ØB	395	ØD	365	ØJ	10		

WIRING DIAGRAM



ACCESSORIES



**CONNECTION FLANGE
AC 350**



**ANTI-VIBRATING FLANGE 400°/2H
BA-400 35**



SQUARE MOUNTING FRAME FOR WMAP FANS
SFO 35



ALUMINIUM GRAVITY SHUTTER
PC2 40



PLASTIC GRAVITY SHUTTER
PCP 35



FREQUENCY SPEED CONTROLLER
SFC (GENERIC)



Outlet protection guard for axial fans
RPO 351



CIRCULAR-CIRCULAR ANTI-VIBRATION FLANGE
BAD 10



SAFETY SWITCH
INT (GENERIC)