

## SCA FIRE 56 T6 (A2:6) F300

### GENERAL DATA



#### SHORT CASED AXIAL SMOKE FAN WITH CAST ALUMINUM IMPELLER DIRECT DRIVE - 300°C/1h

##### MANUFACTURING FEATURES:

- Short cased axial fan with reinforced body.
- Modular motor-impeller assembly.
- Cast aluminum impeller with variable pitch angle.
- Polyester powder finishing coat.
- Standard asynchronous squirrel-cage motor with IP-55 protection and Class H insulation certified 300°C/1h. Manufactured with standard voltages: 230/400V 50Hz in three phase motors up to 3kW and 400/690V 50Hz for higher powers.

##### APPLICATIONS:

Designed for inline installation, they are suitable for:

- Smoke emergency exhaust with motor inside the hazardous area.
- Maximum working temperature: 60°C.

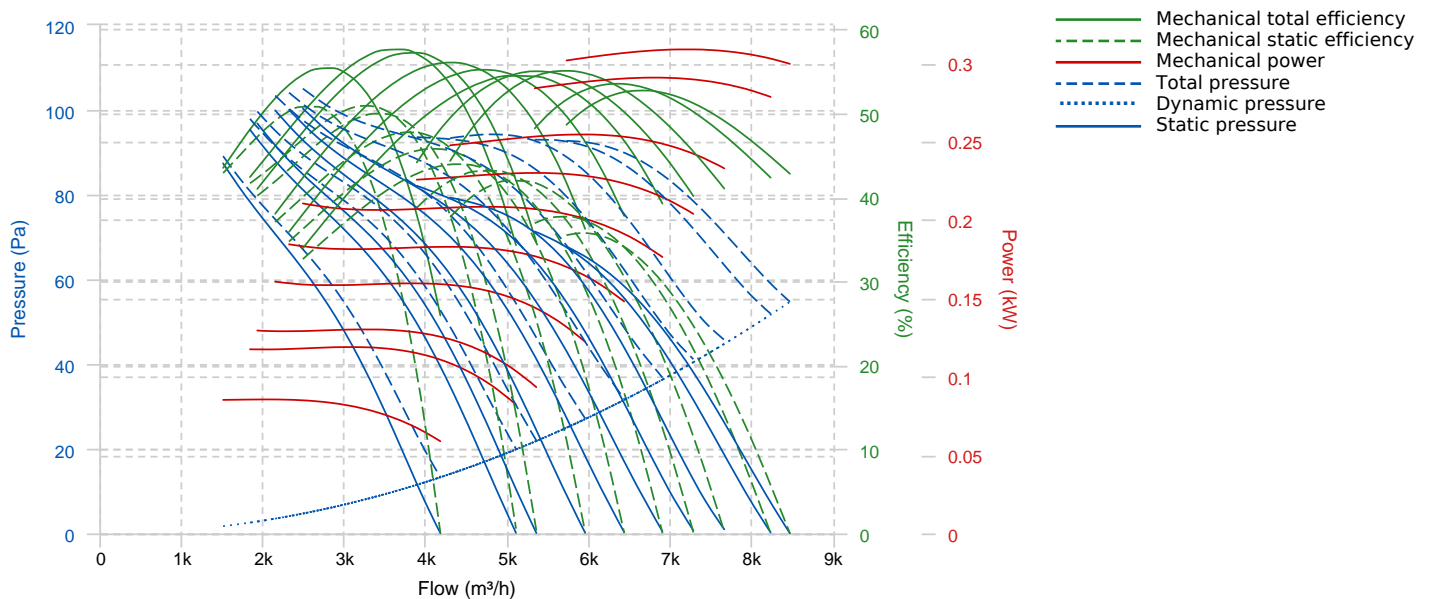
**NOTE: The fan is tested only in star connection if it is used for smoke extract.**

##### UNDER REQUEST:

- Supply impeller (air direction from impeller to motor).
- 100% reversible impeller.

Official homologation by the European laboratory APPLUS according to EN 12101-3:2015 Certification Nr: 0370-CPR-2407

### PERFORMANCE CURVE

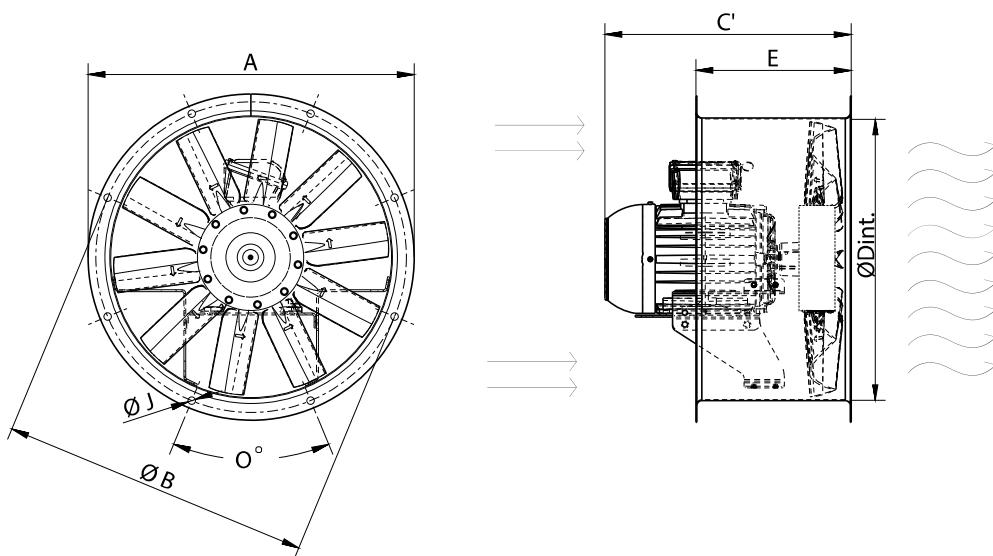


## TECHNICAL DATA

### Fan

RPM	-	Approx. weight	-	Max. Flow	8470 m <sup>3</sup> /h
-----	---	----------------	---	-----------	------------------------

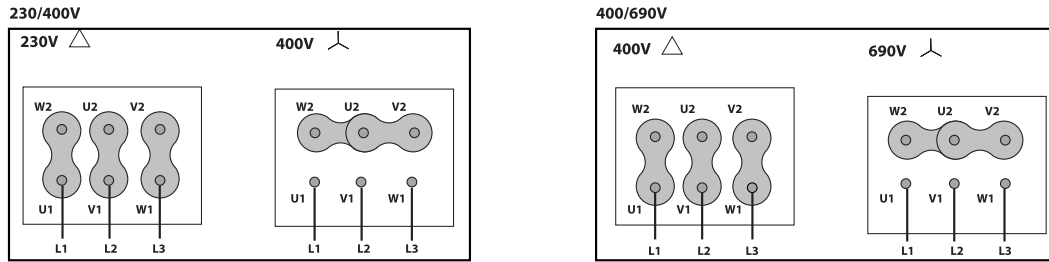
## DIMENSIONS



### Dimensions (mm)

C' (Mot.T.71)	348	C' (Mot.T.80)	362	C' (Mot.T.90L)	397	C' (Mot.T.90S)	372	C' (Mot.T.100L)	433
E	250	Ø	12X30 <sup>º</sup>	ØA	646	ØB	620	ØD	559
ØJ	12								

## WIRING DIAGRAM



## ACCESSORIES



**PROTECTION GUARD FOR LONG CASE FANS**  
RP 56



**CONNECTION FLANGE**  
AC 560



**CIRCULAR-CIRCULAR ANTI-VIBRATION FLANGE**  
BAD 14



**SAFETY SWITCH**  
INT (GENERIC)



**FREQUENCY SPEED CONTROLLER**  
SFC (GENERIC)



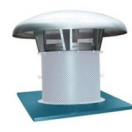
**CIRCULAR SILENCER**  
SIL-C 560/560



**CASE FANS MOUNTING SUPPORT**  
MFLCA 56



**ANTI-VIBRATING FLANGE 400°/2H**  
BA-400 56



**AXIAL ROOF FAN KIT - METALLIC**  
KIT ARFM 56



**SAFETY SWITCH FOR 400°/2h**  
INT F400 (GENERIC)



**ANTI-VIBRATION SPRING BLOCK**  
AVS (GENERIC)