

SCAP 125 T4 (A7:4)

GENERAL DATA



SHORT CASED AXIAL DIRECT DRIVE FAN WITH POLYAMIDE IMPELLER

MANUFACTURING FEATURES:

- Plate axial fan with circular reinforced frame.
 - Modular motor-impeller assembly.
 - Polyamide impeller with variable pitch angle reinforced with fibreglass.
 - Polyester powder finishing coat.
 - Standard asynchronous squirrel-cage motor with IP-55 protection and Class F insulation.
- Manufactured with standard voltages: 230V 50Hz in single phase motors and 230/400V 50Hz in three phase, motors up to 4kW and 400/690V 50Hz for higher powers.

APPLICATIONS:

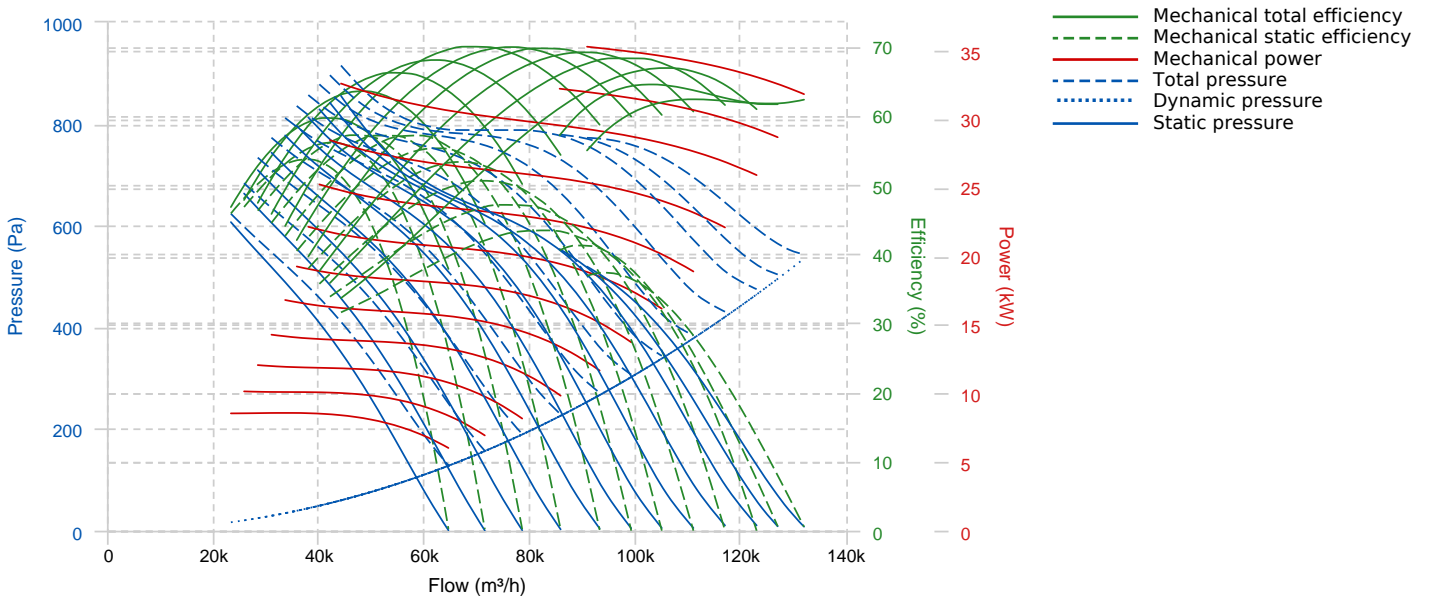
Designed for wall or duct installation, they are suitable for:

- Air renewal in buildings and industries.
- Maximum working temperature: 1ph 50°C, 3ph 60°C.

UNDER REQUEST:

- Supply impeller (air direction from impeller to motor)
- 100% reversible impeller.
- 60Hz fans and special voltages.
- Hot-dipped galvanized or stainless steel housing.

PERFORMANCE CURVE

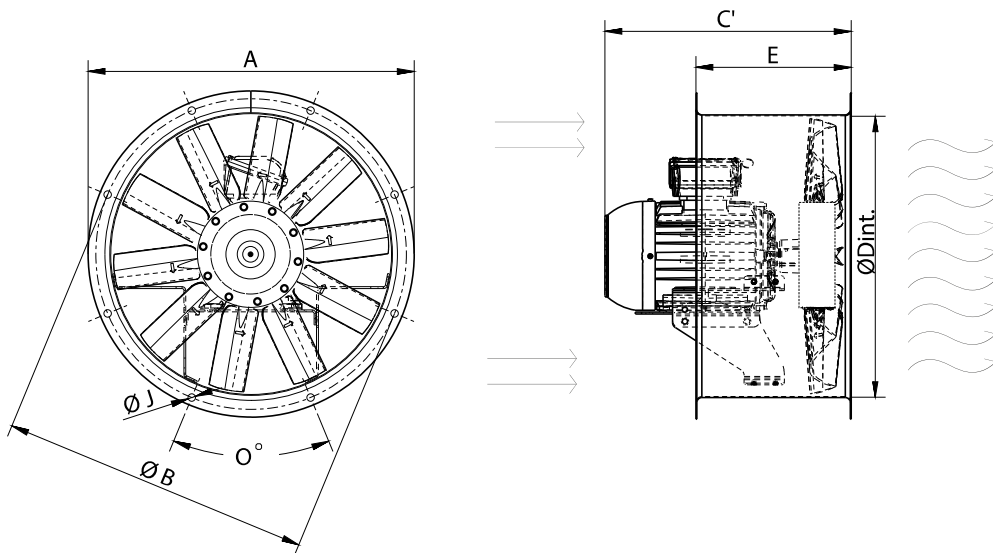


TECHNICAL DATA

Fan

RPM	-	Approx. weight	-	Max. Flow	132010 m³/h
-----	---	----------------	---	-----------	-------------

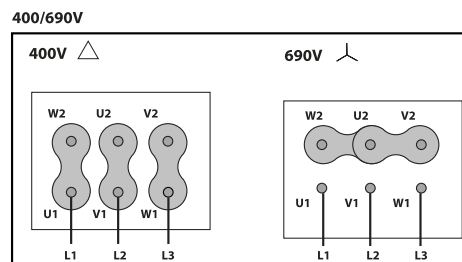
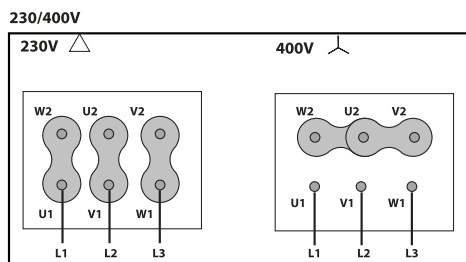
DIMENSIONS



Dimensions (mm)

C' (Mot.T. 132)	765	C' (Mot.T. 160L)	772	C' (Mot.T. 160M)	765	C' (Mot.T. 180L)	804	C' (Mot.T. 180M)	766
C' (Mot.T. 200)	869	C' (Mot.T. 225)	954	E	500	O	20x18 ^º	ØA	1365
ØB	1320	ØD	1263	ØJ	15				

WIRING DIAGRAM



ACCESSORIES



**PROTECTION GUARD FOR LONG CASE FANS
RP 125**



**CONNECTION FLANGE
AC 1250**



**CASE FANS MOUNTING SUPPORT
MFLCA 125**



**SAFETY SWITCH
INT (GENERIC)**



**ANTI-VIBRATION SPRING BLOCK
AVS (GENERIC)**



**CIRCULAR-CIRCULAR ANTI-VIBRATION FLANGE
BAD 21**



**FREQUENCY SPEED CONTROLLER
SFC (GENERIC)**



**CIRCULAR SILENCER
SIL-C 1250/1250**