

SCAP 35 T6 (A0:6)

GENERAL DATA



SHORT CASED AXIAL DIRECT DRIVE FAN WITH POLYAMIDE IMPELLER

MANUFACTURING FEATURES:

- Plate axial fan with circular reinforced frame.
 - Modular motor-impeller assembly.
 - Polyamide impeller with variable pitch angle reinforced with fibreglass.
 - Polyester powder finishing coat.
 - Standard asynchronous squirrel-cage motor with IP-55 protection and Class F insulation.
- Manufactured with standard voltages: 230V 50Hz in single phase motors and 230/400V 50Hz in three phase, motors up to 4kW and 400/690V 50Hz for higher powers.

APPLICATIONS:

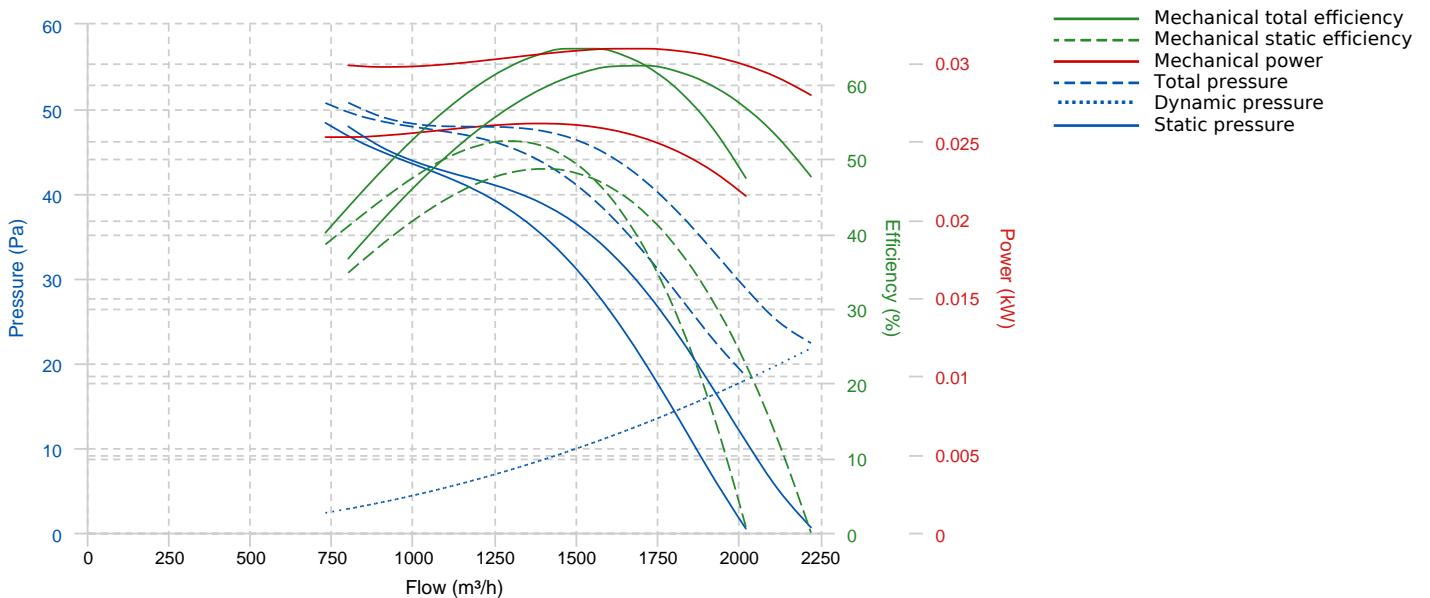
Designed for wall or duct installation, they are suitable for:

- Air renewal in buildings and industries.
- Maximum working temperature: 1ph 50°C, 3ph 60°C.

UNDER REQUEST:

- Supply impeller (air direction from impeller to motor)
- 100% reversible impeller.
- 60Hz fans and special voltages.
- Hot-dipped galvanized or stainless steel housing.

PERFORMANCE CURVE

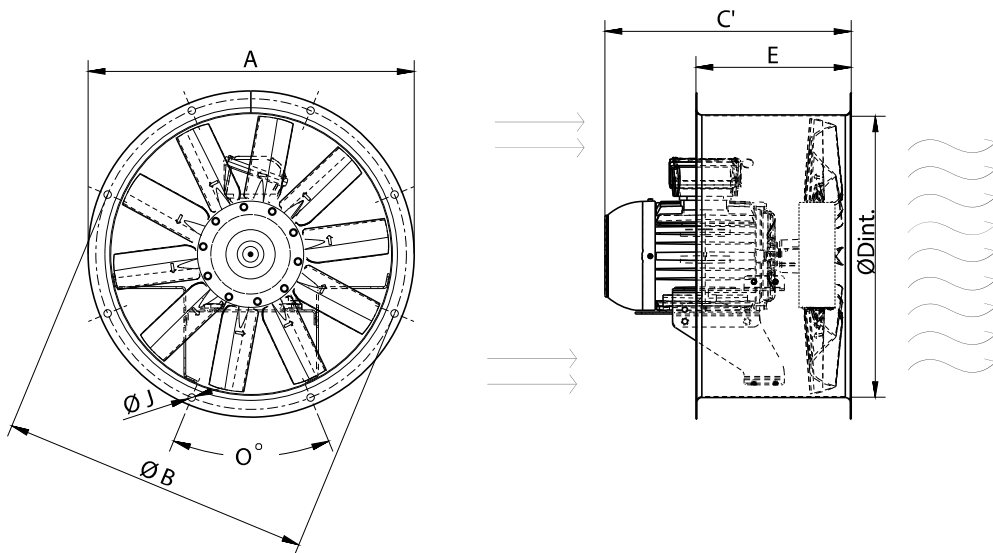


TECHNICAL DATA

Fan

RPM	-	Approx. weight	-	Max. Flow	2230 m³/h
-----	---	----------------	---	-----------	-----------

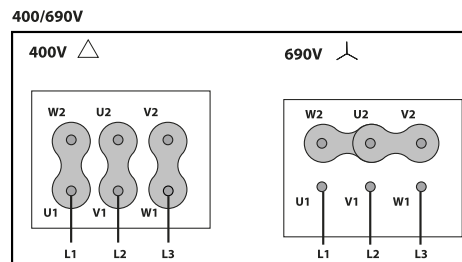
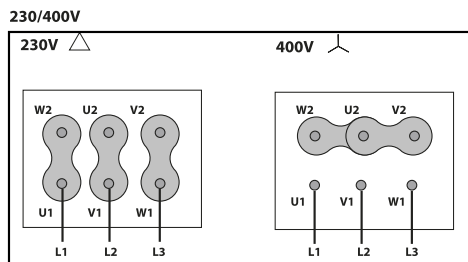
DIMENSIONS



Dimensions (mm)

C' (Mot.T.63)	308	C' (Mot.T.71)	311	C' (Mot.T.80)	340	E	250	O	8x45°
ØA	434	ØB	395	ØD	365	ØJ	10		

WIRING DIAGRAM



ACCESSORIES



**PROTECTION GUARD FOR LONG CASE FANS
RP 35**



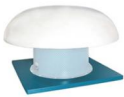
**CASE FANS MOUNTING SUPPORT
MFLCA 35**



**CONNECTION FLANGE
AC 350**



**CIRCULAR-CIRCULAR ANTI-VIBRATION FLANGE
BAD 10**



**AXIAL ROOF FAN KIT
KIT ARF 35**



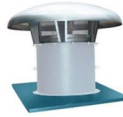
**FREQUENCY SPEED CONTROLLER
SFC (GENERIC)**



**CIRCULAR SILENCER
SIL-C 355/355**



**ANTI-VIBRATING FLANGE 400°/2H
BA-400 35**



**AXIAL ROOF FAN KIT - METALLIC
KIT ARFM 35**



**SAFETY SWITCH
INT (GENERIC)**



**ANTI-VIBRATION SPRING BLOCK
AVS (GENERIC)**