

LCA FIRE 50 T6 (A2:6) F300

GENERAL DATA



LONG CASED AXIAL SMOKE FAN WITH CAST ALUMINUM IMPELLER DIRECT DRIVE - 300°C/1h

MANUFACTURING FEATURES:

- Long cased axial fan with reinforced body.
- Modular motor-impeller assembly.
- Cast aluminum impeller with variable pitch angle.
- Polyester powder finishing coat.
- Housing with motor access door for easy connection.
- Standard asynchronous squirrel-cage motor with IP-55 protection and Class H insulation certified 300°C/1h. Manufactured with standard voltages: 230/400V 50Hz in three phase motors up to 3kW and 400/690V 50Hz for higher powers.

APPLICATIONS:

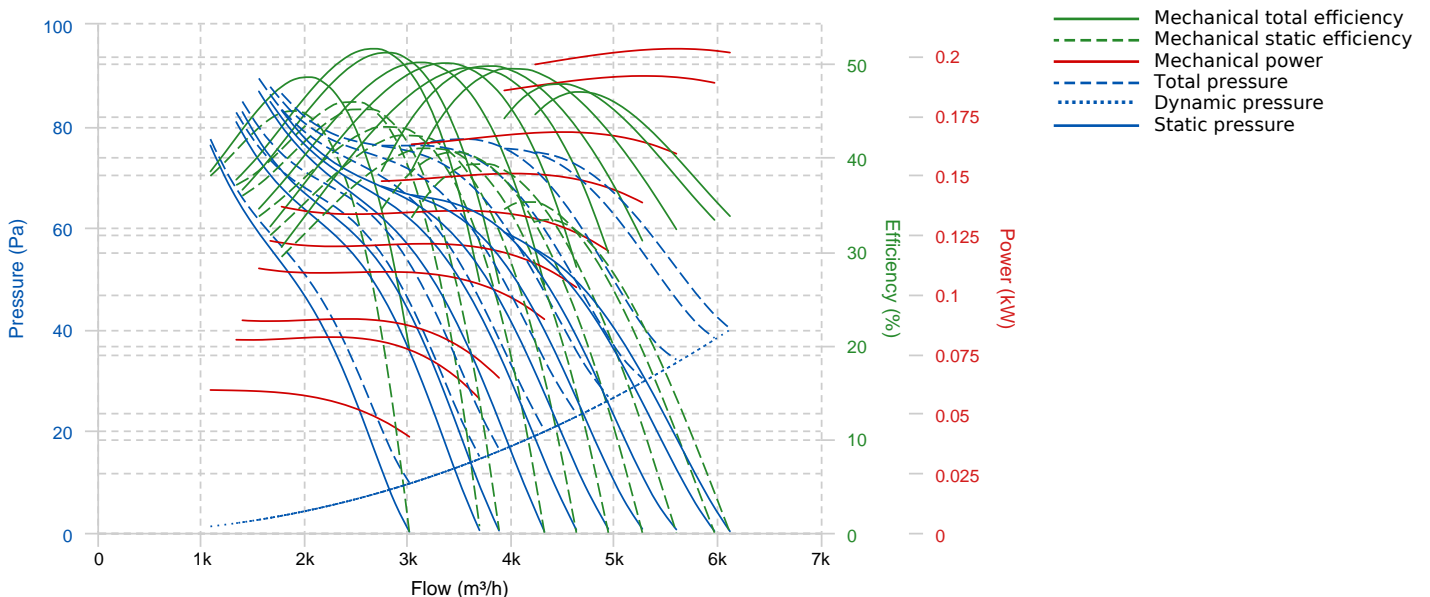
- Designed for inline installation, they are suitable for:
- Smoke emergency exhaust with motor inside the hazardous area.
 - Maximum working temperature: 60°C.

UNDER REQUEST:

- Supply impeller (air direction from impeller to motor).
- 100% reversible impeller.

Official homologation by the European laboratory APPLUS according to EN 12101-3:2015 Certification Nr: 0370-CPR-2404

PERFORMANCE CURVE

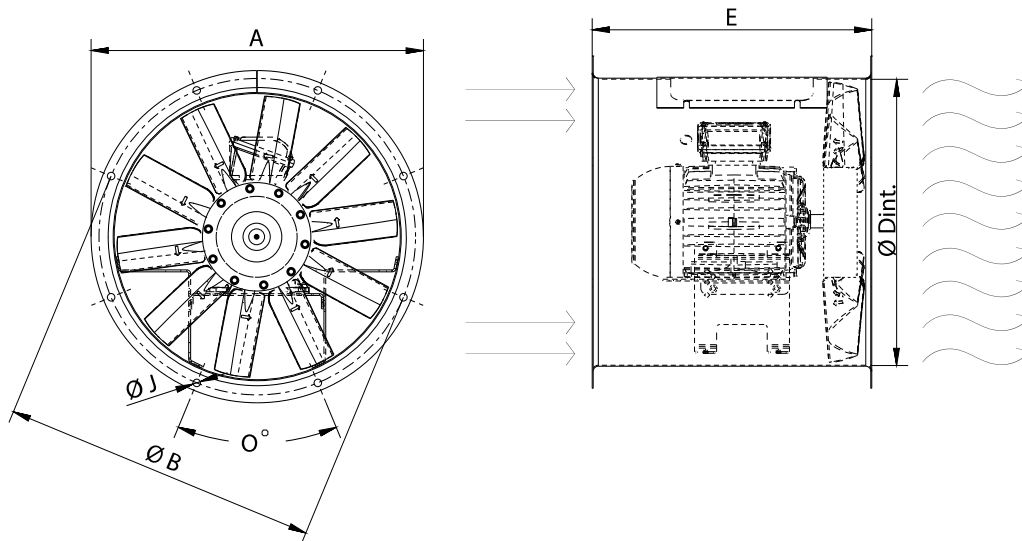


TECHNICAL DATA

Fan

RPM	-	Approx. weight	-	Max. Flow	6130 m ³ /h
-----	---	----------------	---	-----------	------------------------

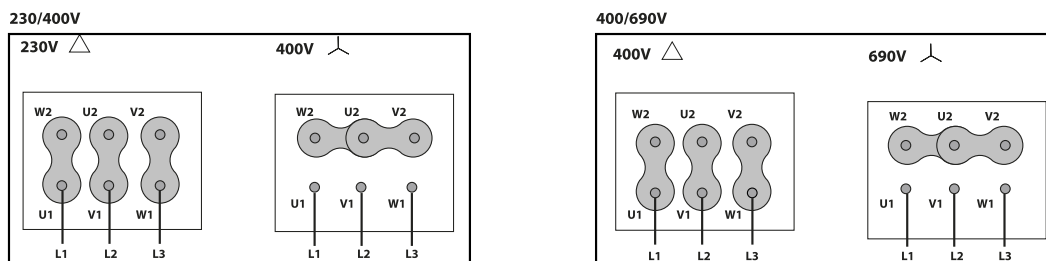
DIMENSIONS



Dimensions (mm)

E	440	O	12x30°	ØA	600	ØB	560	ØD	504
ØJ	12								

WIRING DIAGRAM



ACCESSORIES



PROTECTION GUARD FOR LONG CASE FANS RP 50



CASE FANS MOUNTING SUPPORT MFLCA 50



**CONNECTION FLANGE
AC 500**



**CIRCULAR-CIRCULAR ANTI-VIBRATION FLANGE
BAD 13**



**SAFETY SWITCH FOR 400°C/2h
INT F400 (GENERIC)**



**ANTI-VIBRATION SPRING BLOCK
AVS (GENERIC)**



**ANTI-VIBRATING FLANGE 400°/2H
BA-400 50**



**SAFETY SWITCH
INT (GENERIC)**



**FREQUENCY SPEED CONTROLLER
SFC (GENERIC)**



**CIRCULAR SILENCER
SIL-C 500/500**