

EI 207x148-225 ()

GENERAL DATA



CIRCULAR OUTLET CONNECTION FLANGE

MANUFACTURING FEATURES

- Connection to be fitted in the centrifugal fans outlet.
- Manufactured in galvanized steel.

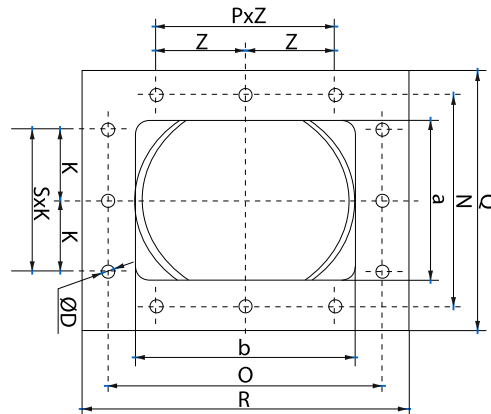
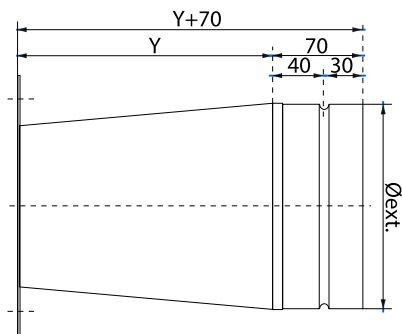
UNDER REQUEST

- Versions in stainless 304 and stainless 316.

TECHNICAL DATA

approx. weight 2.80 Kg

DIMENSIONS



Dimensions (mm)

N	182	O	241	P	1x112	Q	218	R	277
---	-----	---	-----	---	-------	---	-----	---	-----

Dimensions (mm)

S	1x112	Y	200	a	148	b	207	k	112
z	112	ØD	12	ØEXT	225				