

EI 131x95-200 ()

GENERAL DATA



CIRCULAR OUTLET CONNECTION FLANGE

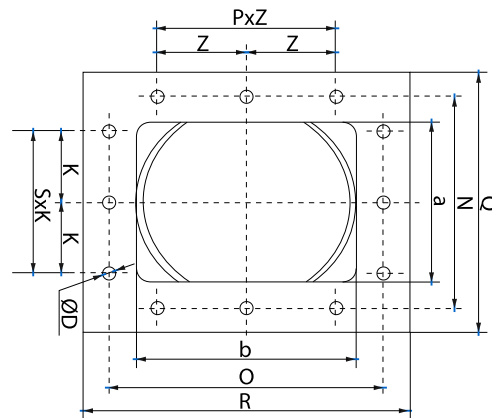
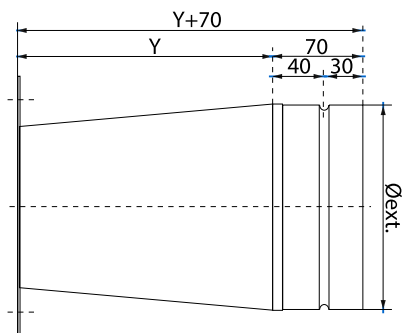
MANUFACTURING FEATURES

- Connection to be fitted in the centrifugal fans outlet.
- Manufactured in galvanized steel.

UNDER REQUEST

- Versions in stainless 304 and stainless 316.

DIMENSIONS



Dimensions (mm)

N	129	O	165	P	1x100	Q	155	R	191
S	-	Y	150	a	95	b	131	k	-
z	100	ØD	10	ØEXT	200				