

EI 66x4-66 ()

GENERAL DATA



CIRCULAR OUTLET CONNECTION FLANGE

MANUFACTURING FEATURES

- Connection to be fitted in the centrifugal fans outlet.
- Manufactured in galvanized steel.

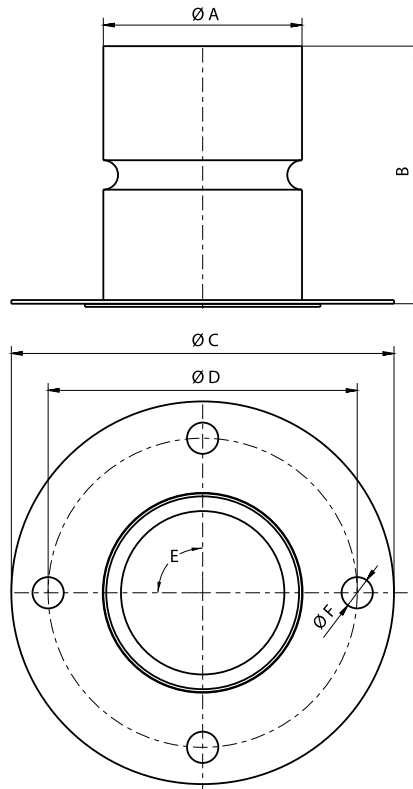
UNDER REQUEST

- Versions in stainless 304 and stainless 316.

TECHNICAL DATA

approx. weight 1.60 Kg

DIMENSIONS



Dimensions (mm)

A	66	B	70	C	126	D	102	E	4x90°
---	----	---	----	---	-----	---	-----	---	-------

Dimensions (mm)

F	8.5
---	-----