

BTI+AMC 570 ()

GENERAL DATA



BTI + AMC MOUNTED

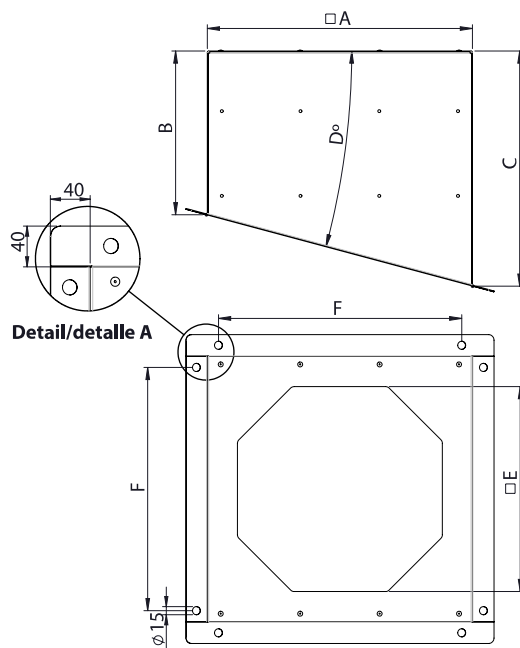
Suitable for installa ASIL in a roof fan using a BTI

Made of galvanized steel

TECHNICAL DATA

approx. weight 1.60 Kg

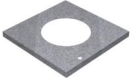
DIMENSIONS



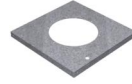
Dimensions (mm)

A	570	B	300	C	variable f°(XX)	D	XX°	E	485
F	530								

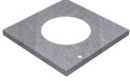
ACCESSORIES



SUPPORT FOR CIRCULAR ACCESSORIES
ASIL 570-315



SUPPORT FOR CIRCULAR ACCESSORIES
ASIL 570-355



SUPPORT FOR CIRCULAR ACCESSORIES
ASIL 570-400