

BTI+ACMP 640 ()

GENERAL DATA



BTI + ACMP MOUNTED

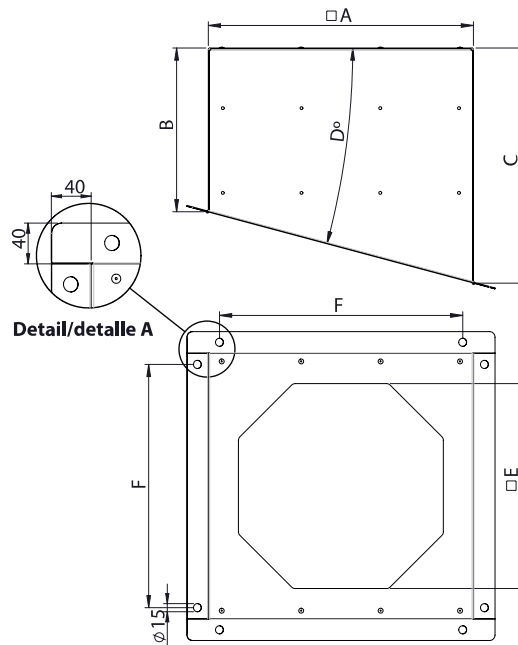
Suitable for installa CMP-HUT in a roof fan using a BTI

Made of galvanized steel

TECHNICAL DATA

approx. weight 2.20 Kg

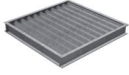
DIMENSIONS



Dimensions (mm)

A	640	B	300	C	variable f°(XX)	D	XX°	E	455
F	600								

ACCESSORIES



**DEPRESSION DAMPER (HORIZONTAL or
VERTICAL PLACEMENT)
CMP-HUT 500x510**