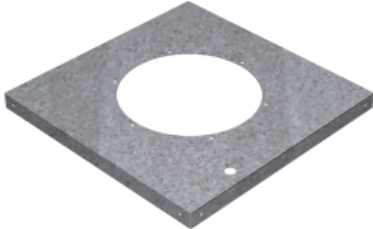


ASIL 640-355 ()

GENERAL DATA

SUPPORT FOR CIRCULAR ACCESSORIES

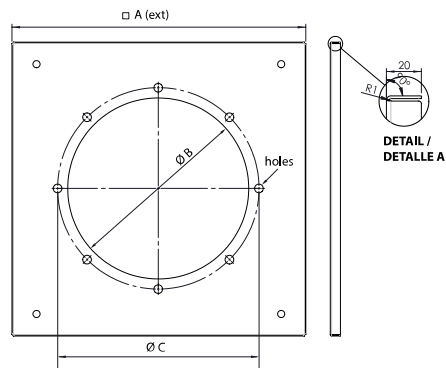
Support for circular accessories such as silencers, BAD anti-vibration flanges and AC connection flanges on the BTI using AMC.



TECHNICAL DATA

approx. weight 3.20 Kg

DIMENSIONS



Dimensions (mm)

A	576.5	B	355	C	395	Holes	8xØ17
---	-------	---	-----	---	-----	-------	-------

ACCESSORIES



**PROTECTION GUARD FOR LONG CASE FANS
RP 35**



**CONNECTION FLANGE
AC 350**



**CIRCULAR-CIRCULAR ANTI-VIBRATION FLANGE
BAD 10**



**CIRCULAR SILENCER
SIL-C 355/355**