

SFO 63 ()

GENERAL DATA



SQUARE MOUNTING FRAME FOR WMAP FANS

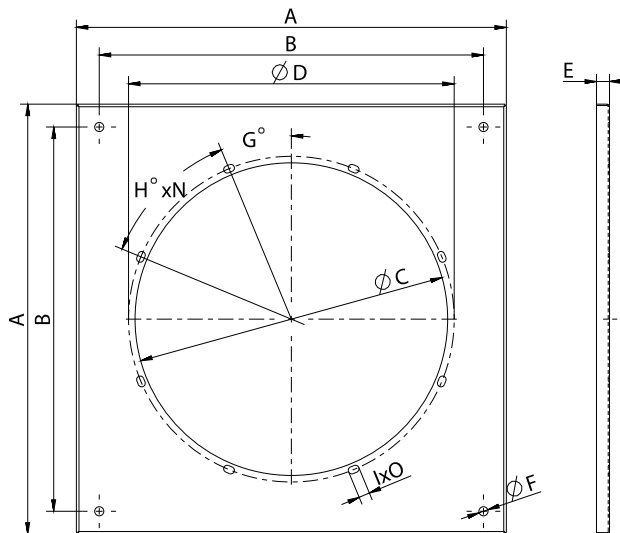
MANUFACTURING FEATURES

- Square support frame for WMAP fans.
- Made of steel and protected against corrosion with polyester resin powder.

TECHNICAL DATA

approx. weight 6.60 Kg

DIMENSIONS



Dimensions (mm)

A	830	B	760	C	655	D	690	E	20
ESPE	2	F	14	G	15°	HxN	30°x12	IxO	17x11