

PCP 50 ()

GENERAL DATA



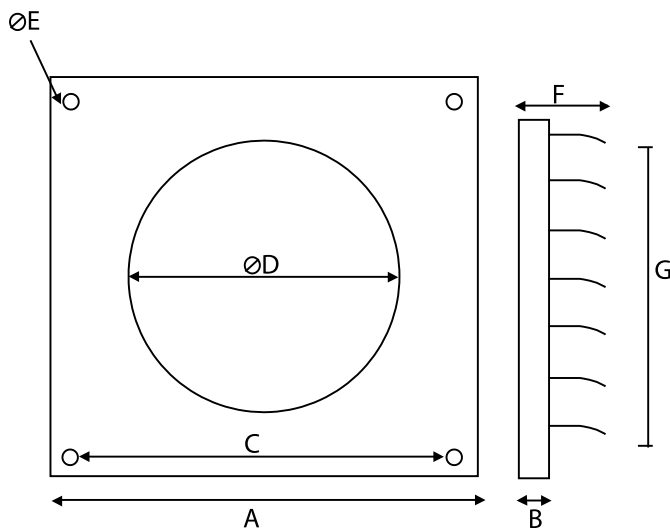
PLASTIC GRAVITY SHUTTER

Gravity shutter.
 The shutter will open by air force and will close when the fan is stopped.
 Made of ABS plastic.
 UV rays protected.
 Note: Maximum air speed 16 m/s

TECHNICAL DATA

approx. weight 2.00 Kg

DIMENSIONS



Dimensions (mm)

A	549	B	31	C	445	F	95	Nº la	7
Ø D	510	Ø E	5						