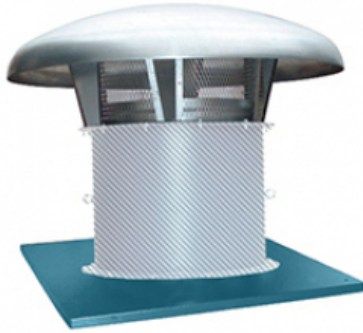


KIT ARFM 63 ()

GENERAL DATA



AXIAL ROOF FAN KIT - METALLIC

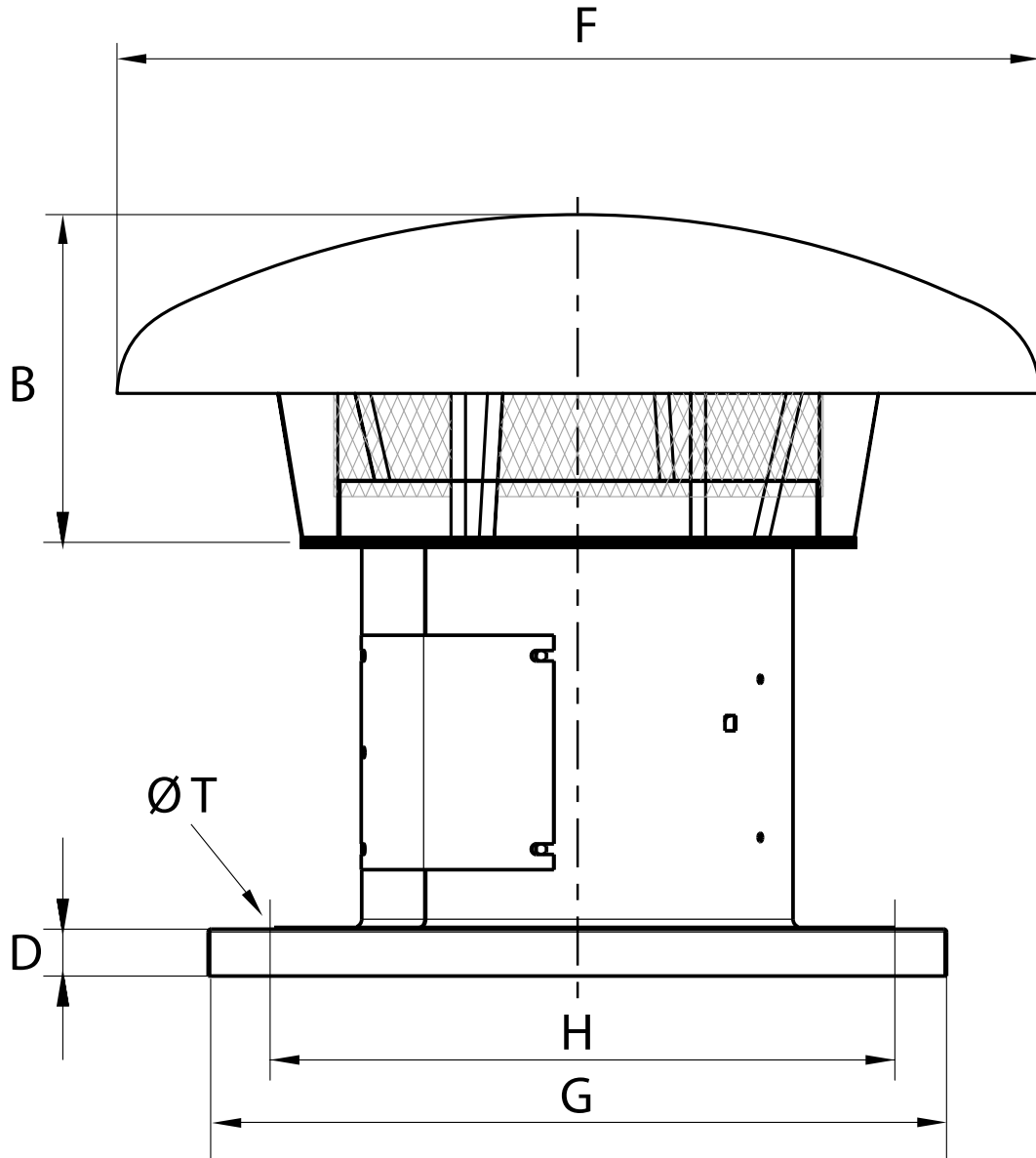
Set to install long cased axial fans on the roof : LCAP, LCA ...

It is composed by a roof cowl made of galvanized steel, a roof base support and bird protection guard with powder finishing coat.

TECHNICAL DATA

approx. weight 33.00 Kg

DIMENSIONS



Dimensions (mm)

B	388	D	50	F	1100	G	905	H	750
T	14								