

AC 500 ()

GENERAL DATA



CONNECTION FLANGE

MANUFACTURING FEATURES

- For axial (inlet and outlet) and centrifugal (inlet) fans.

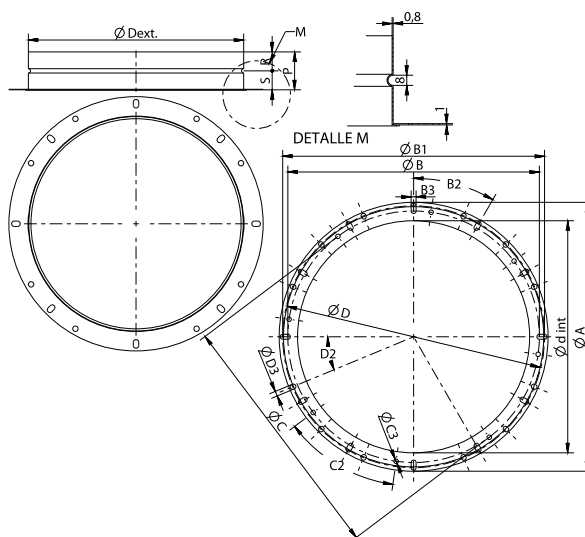
UNDER REQUEST

- Versions in stainless 304 and stainless 316.

TECHNICAL DATA

approx. weight 1.10 Kg

DIMENSIONS



Dimensions (mm)

A	590	B	535	B1	560	B2	12x30	B3	12
C	535	C2	4x90	C3	11	D	551	D2	8x45
D3	12	Dext	498	P	70	R=S	35	dint	499