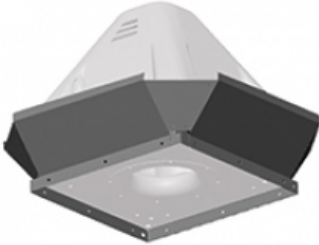


KV CTH-3 355-400-450 ()

GENERAL DATA



CRFP VERTICAL DISCHARGE

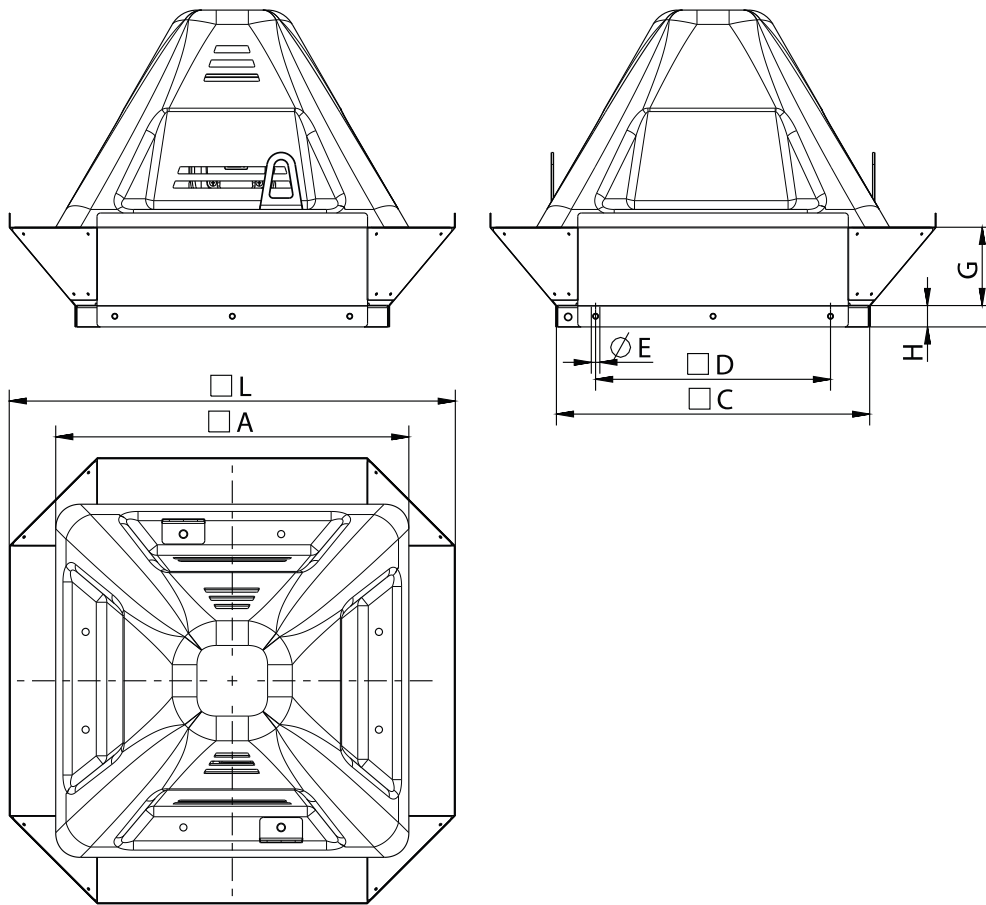
MANUFACTURING FEATURES

- Accessory to convert the CRFP roof fan to vertical discharge.
- Manufactured in aluminum

TECHNICAL DATA

approx. weight	13.00 Kg
----------------	----------

DIMENSIONS



Dimensions (mm)

A	698,5	C	630	D	535	E	12	G	260
H	40	L	932,2						