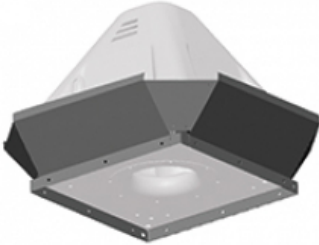


## KV CTH-3 280-315 ( )

### GENERAL DATA



#### CRFP VERTICAL DISCHARGE

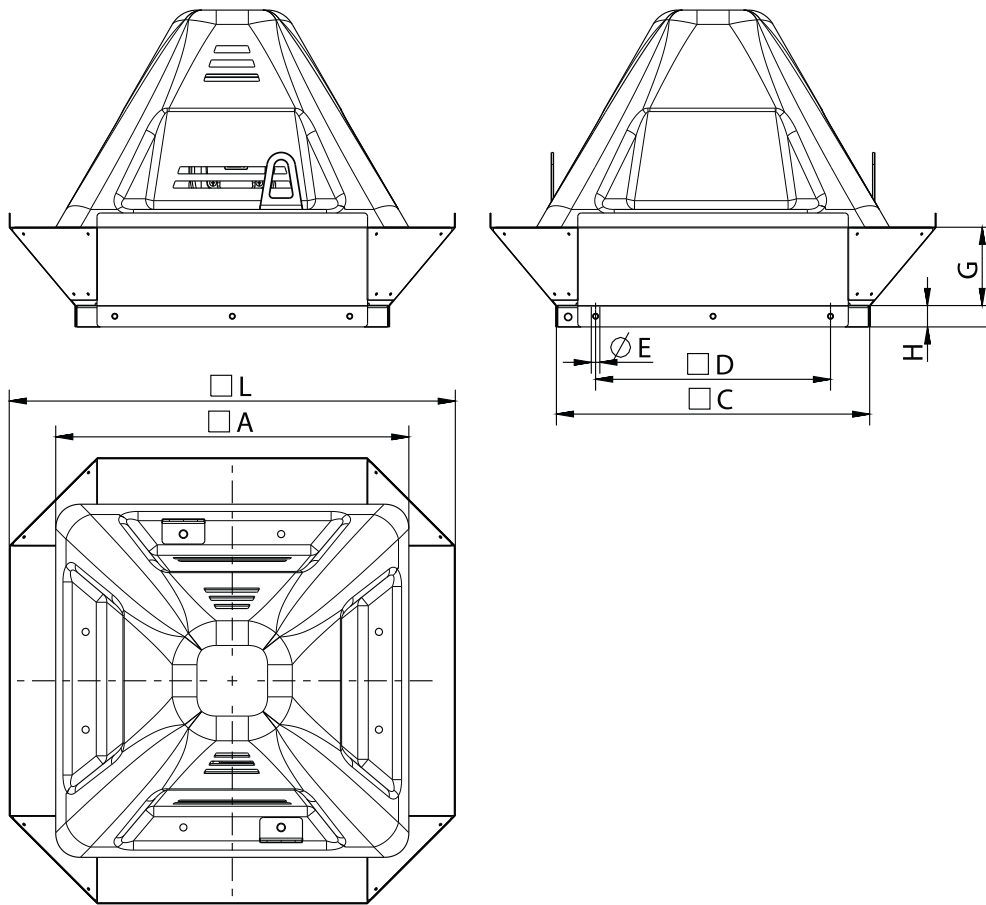
##### MANUFACTURING FEATURES

- Accessory to convert the CRFP roof fan to vertical discharge.
- Manufactured in aluminum

### TECHNICAL DATA

approx. weight 8.00 Kg

### DIMENSIONS



Dimensions (mm)

A	616	C	560	D	450	E	12	G	180
H	40	L	770						