

REG 5A ()

GENERAL DATA



MANUAL SINGLE PHASE SPEED CONTROLLER

MANUFACTURING FEATURES

- Specially designed for sinus wave speed control. Only available for single phase fans.
- Terminal wiring.
- Minimum speed adjustable and potentiometer speed control.
- Sealed box IP-54 box. Light switch pilot.
- EMC filter according to the En55014 Standard.

TECHNICAL DATA

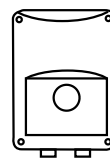
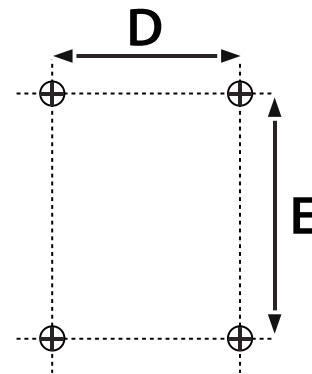
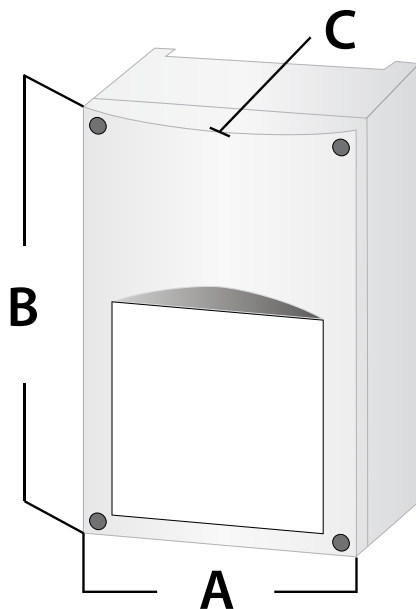
approx. weight

0.57 Kg

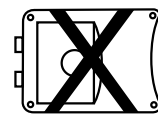
I

5 A

DIMENSIONS



OK

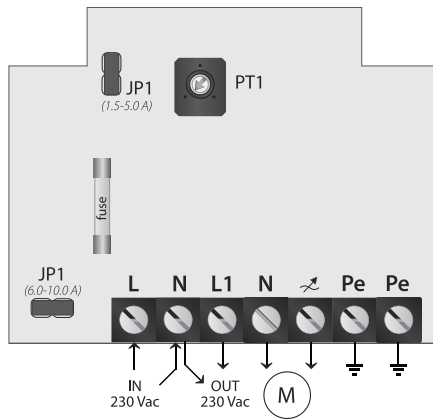


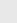
NO

Dimensions (mm)

A	83	B	160	C	81	D	71	E	108
---	----	---	-----	---	----	---	----	---	-----

WIRING DIAGRAM



L N	main supply 230 VAC - 50 Hz
N	neutral
Pe	earth connection
L1 N	unregulated out 230 VAC (2A)
N 	regulated output to motor
JP1	jumper removed = normal working mode jumper in place = kickstart mode
PT1	minimum speed adjustment trimmer