

# AC 710 ( )

## GENERAL DATA



### CONNECTION FLANGE

#### MANUFACTURING FEATURES

- For axial (inlet and outlet) and centrifugal (inlet) fans.

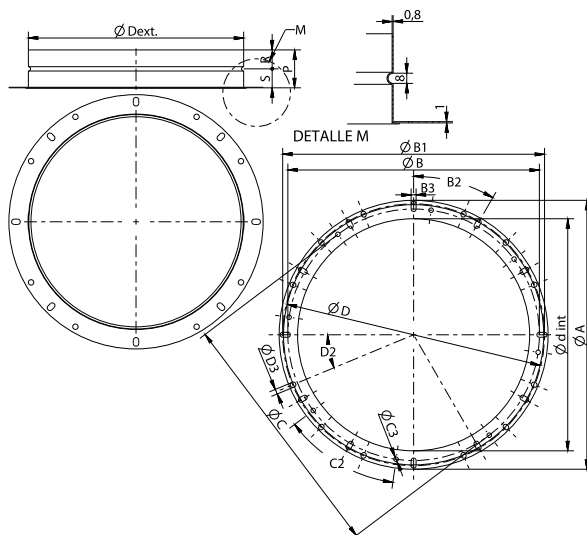
#### UNDER REQUEST

- Versions in stainless 304 and stainless 316.

## TECHNICAL DATA

approx. weight 1.60 Kg

## DIMENSIONS



### Dimensions (mm)

A	800	B	755	B1	775	B2	16x22,5	B3	12
Dext	708	P	70	R=S	35	dint	709		