

REG 3A ()

GENERAL DATA



MANUAL SINGLE PHASE SPEED CONTROLLER

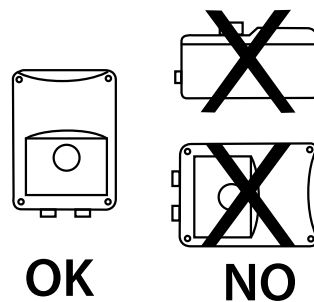
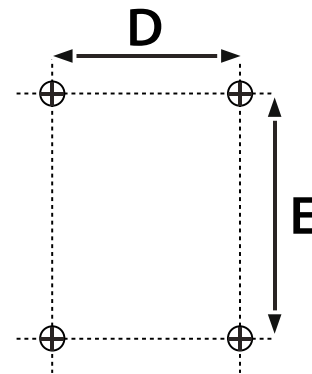
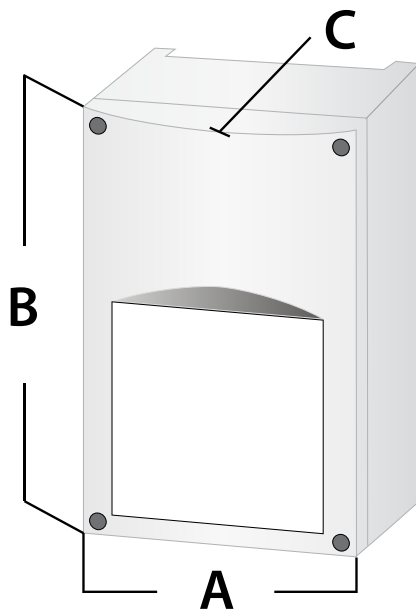
MANUFACTURING FEATURES

- Specially designed for sinus wave speed control. Only available for single phase fans.
- Terminal wiring.
- Minimum speed adjustable and potentiometer speed control.
- Sealed box IP-54 box. Light switch pilot.
- EMC filter according to the En55014 Standard.

TECHNICAL DATA

approx. weight	0.42 Kg	I	3 A
----------------	---------	---	-----

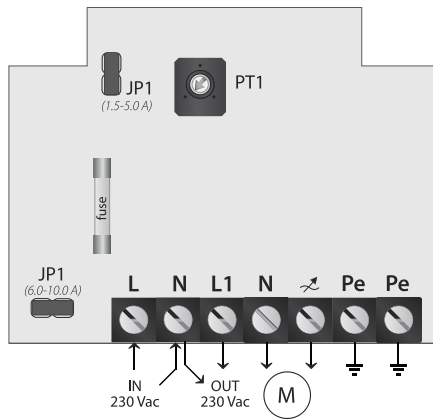
DIMENSIONS



Dimensions (mm)

A	83	B	160	C	66	D	71	E	108
---	----	---	-----	---	----	---	----	---	-----

WIRING DIAGRAM



L N	main supply 230 VAC - 50 Hz
N	neutral
Pe	earth connection
L1 N	unregulated out 230 VAC (2A)
N ↯	regulated output to motor
JP1	jumper removed = normal working mode jumper in place = kickstart mode
PT1	minimum speed adjustment trimmer