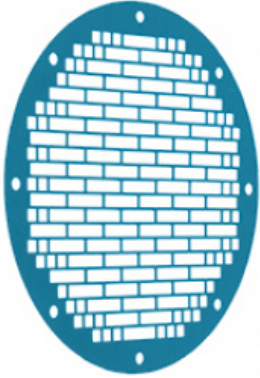


RA 40/16 ()

GENERAL DATA

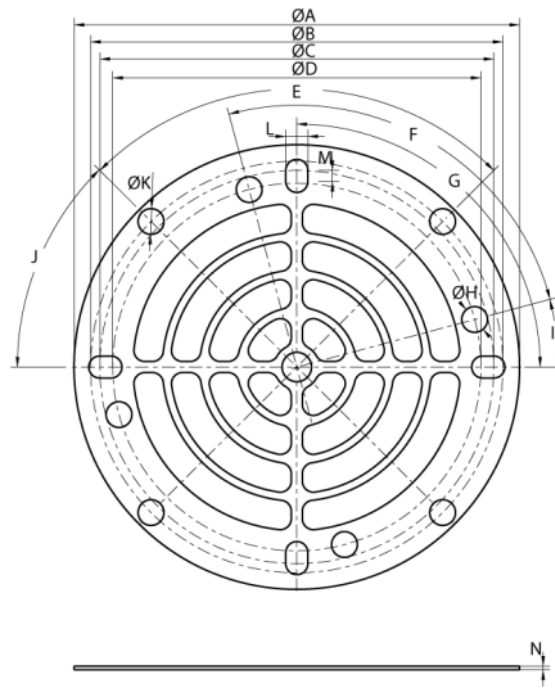


INLET PROTECTION GUARD FOR CENTRIFUGAL FANS

MANUFACTURING FRATURES

- Inlet protection guard to avoid the entry of objects and contact with the impeller.
- Made of galvanised steel models 7,9, 10, 12 and 15. And the rest of models with polyester powder finishing coat.

DIMENSIONS



Dimensions (mm)

A	464	B	438	C	8x45°	D	10	E	2
---	-----	---	-----	---	-------	---	----	---	---