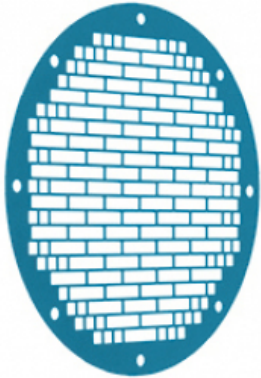


# RA 28/11 ( )

## GENERAL DATA

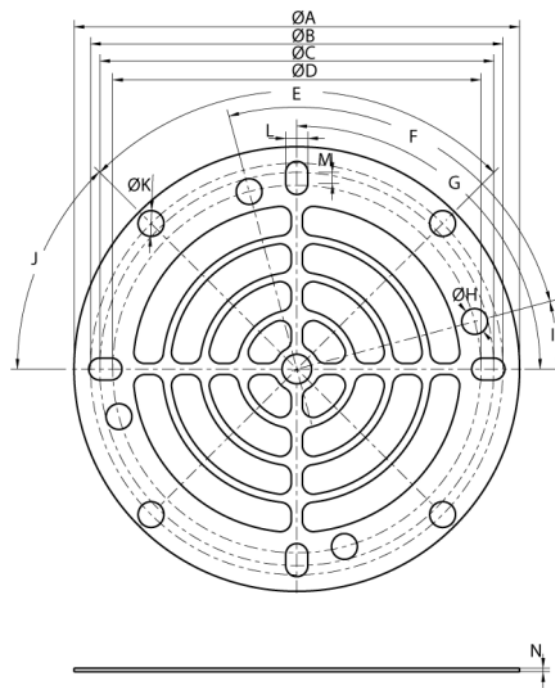


### INLET PROTECTION GUARD FOR CENTRIFUGAL FANS

#### MANUFACTURING FRATURES

- Inlet protection guard to avoid the entry of objects and contact with the impeller.
- Made of galvanised steel models 7,9, 10, 12 and 15. And the rest of models with polyester powder finishing coat.

## DIMENSIONS



### Dimensions (mm)

A	340	B	320	C	8x45°	D	10	E	1,5
---	-----	---	-----	---	-------	---	----	---	-----