

## MPBID 1252 T4 110kW ( )

### GENERAL DATA



#### MEDIUM PRESSURE FAN WITH BACKWARD CURVED IMPELLER DIRECT DRIVE IN Fe360 SHEET

##### MANUFACTURING FEATURES:

- Fan made of Fe360 sheet. The fan paint finish is based on a Qualicoat polyester powder coating stoved at 200°C, with an average film thickness of 70 microns. Average heat resistance of coating is 180°C with peaks of 200°C.
  - Fully welded housing.
  - Single inlet backward impeller with self-cleaning system made of Fe360 sheet statically and dynamically balanced.
- Impellers are painted with polyester primer that resists temperatures up to 300°C.
- Standard asynchronous squirrel-cage motor with IP-55 protection and class F insulation. Manufactured with standard voltages: 230V/400V 50Hz in single phase motors and 230/400V 50Hz in three phase motors up to 4kW and 400/690V 50Hz for higher powers.
  - Standard orientation LG270.
  - It allows adjusting the orientation locally from models 400 to 630. Models sizes from 710 to 1400 size the orientation is fixed.

##### APPLICATIONS:

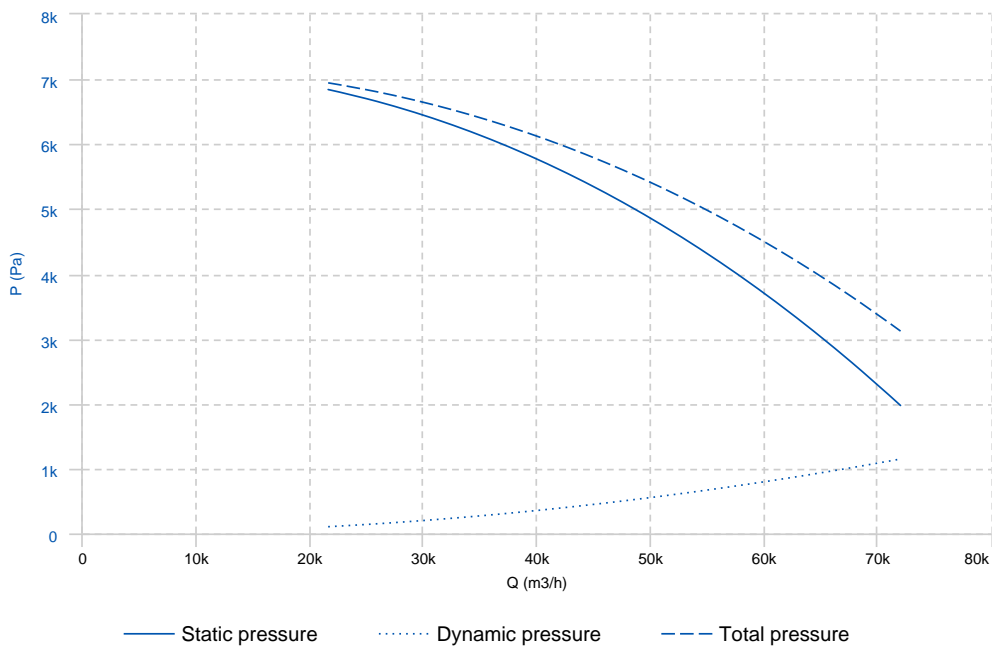
Designed for inline installation, they are suitable for:

- Industrial applications, extraction or injection of air.
- Cooling of machines and parts.
- Clean and slightly dusty air transport.
- Exhaust after filters, separators and cyclones.
- Pneumatic transport.
- Maximum working temperature: carried air: 130°C, ambient: 60°C.

##### UNDER REQUEST

- Fans for 60Hz and special voltages.
- 2 speed motor.
- C4 or C5 coating painting
- Hot dip galvanized
- Special steel (Cor-Ten A, Hardox...)
- Inox 304 (normal or electropolished finish)
- Inox 316 (normal or electropolished finish)
- Cooling wheel
- Anticaloric paint
- Reinforced housing
- Fully welded housing (waterproof)
- Insulated housing
- Split casing (for big sizes)
- Inspection door to facilitate maintenance and cleaning
- Drain plug.
- Airtight axle
- Frontal foot
- Double suction flange
- Available in the following versions:
  - Non-sparking air passage and standard motor.
  - ATEX II3GD Ex\_na
  - ATEX II3G Ex\_e
  - ATEX II3GD Ex\_d
- Other brands of motors.
- Orientation: RD0, RD45, RD90, RD135, RD180, RD225, RD270, RD315, LG0, LG45, LG90, LG135, LG180. LG225, LG315.

## PERFORMANCE CURVE

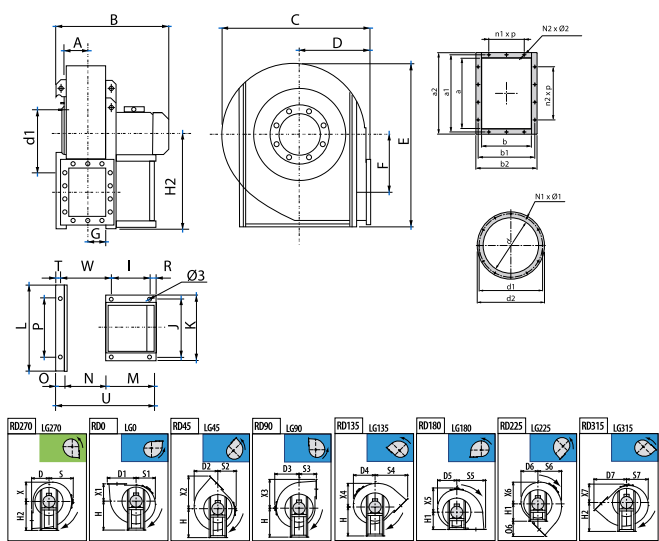


## TECHNICAL DATA

### Fan

RPM	1490	Approx. weight	1770 kg	Max. Flow	72000 m3/h
-----	------	----------------	---------	-----------	------------

## DIMENSIONS



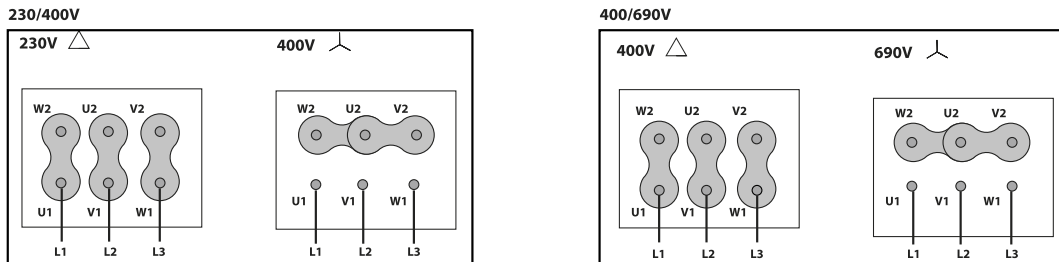
### Dimensions (mm)

A	310	B	1489	C	2116	D	900	D1	1464
---	-----	---	------	---	------	---	-----	----	------

Dimensions (mm)

D2	1270	D3	1214	D4	1163	D5	1048	D6	898
D7	1671	E	2517	F	1003	G	284	H	1190
H1	900	H2	1500	I	675	J	1310	K	1400
L	1530	M	800	N	569	N1xØ1	Nº16 M10x30	N2xØ2	14x14
O	100	O6	771	P	1310	R	45	S	1214
S1	1048	S2	898	S3	900	S4	1671	S5	1464
S6	1270	S7	1163	T	55	U	1469	W	694
X	1048	X1	900	X2	1671	X3	1464	X4	1270
X5	1214	X6	1163	X7	898	a	801	a1	871
a2	921	b	569	b1	639	b2	689	d	805
d1	861	d2	905	n1xp	2x200	n2xp	3x200	Ø3	24

WIRING DIAGRAM



ACCESSORIES



CONNECTION FLANGE  
CCF 800



ANTI-VIBRATING FLANGE 400º/2H  
FLEX FIRE 80



INLET PROTECTION GUARD FOR CENTRIFUGAL  
FANS  
PG8 805x16



CIRCULAR-CIRCULAR ANTI-VIBRATION FLANGE  
FCCF 17

**SPARE PARTS**

	Code	Model
2	T02012550	1 x TURBINE MBGR 1252 T4 110KW LG
3	503512500SP04	1 x INLET CONE MBGR-MZGR 1250
4	721001406	1 x MOTOR 110KW T4 B3 400/690V