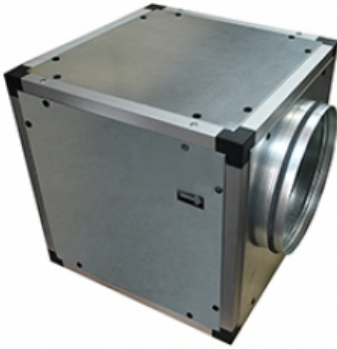


DD BOX PLUS 9/9 M6 0,13kW ()

GENERAL DATA



CENTRIFUGAL DIRECT DRIVE FAN WITH FORWARD CURVED IMPELLER IN SOUNDPROOF BOX WITH SANDWICH PANELS

MANUFACTURING FEATURES

- Impellers made of polyamide reinforced with fibreglass.
- DD range fans assembled in soundproof cabinets.
- Structure profile made of aluminium 30 mm.
- Casing made of galvanized sandwich panel, with inner rock wool A1 class (100% noncombustible), density 90Kg/m3.
- Connection gland included.
- Easy access through lateral panel.
- Fan can be placed in any position by exchanging panels.
- Closed motors specially designed. Extruded aluminium motor housing. Totally enclosed wiring box IP-65. IP-54 motor protection and rated class F insulation. Standard voltages 230V 50Hz for single phase and 230/400V 50Hz for three phase motors.

APPLICATIONS

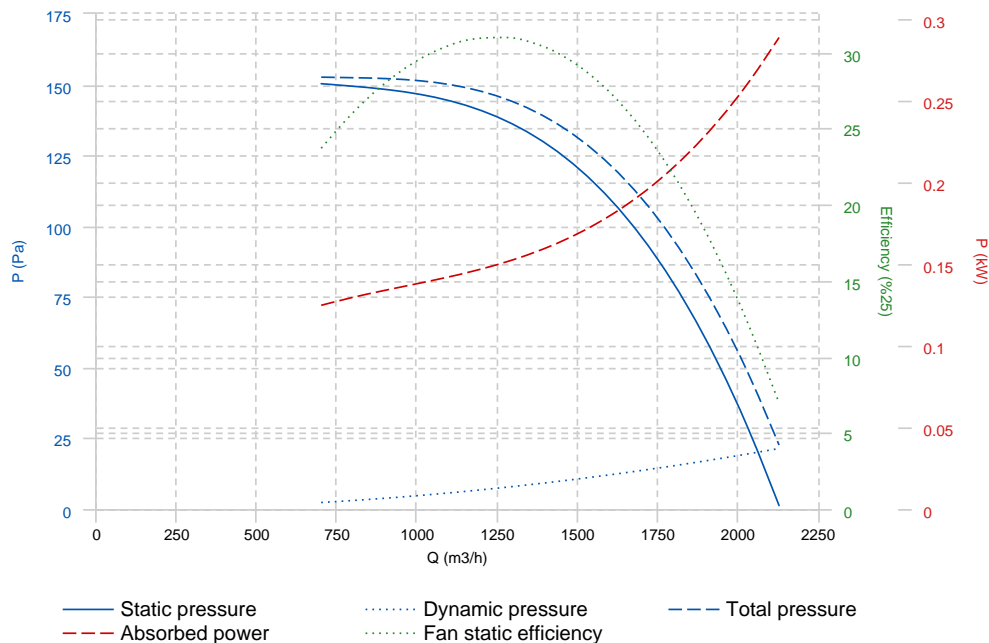
Designed for inline installation, indoor or outdoor assembly, they are suitable for:

- Air renewal in buildings and industries.
- Maximum working temperature: 50°C.

UNDER REQUEST

- 3 speed fans.
- Impeller made of galvanized sheet.

PERFORMANCE CURVE



TECHNICAL DATA

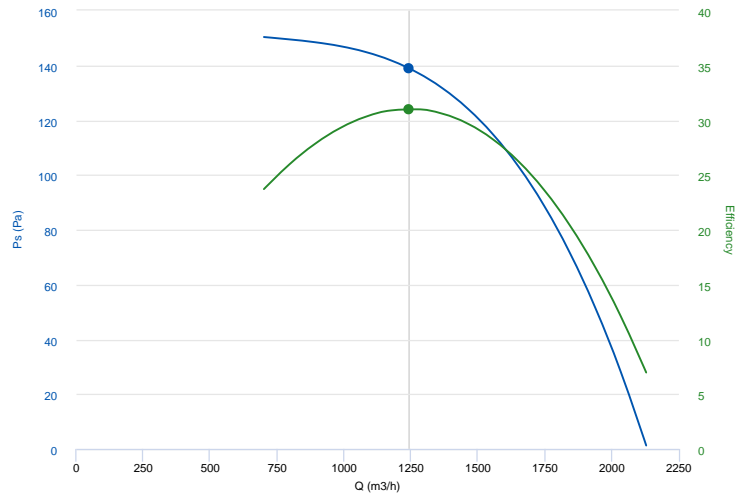
Fan

RPM	940	Approx. weight	33 kg	Max. Flow	2130 m ³ /h
-----	-----	----------------	-------	-----------	------------------------

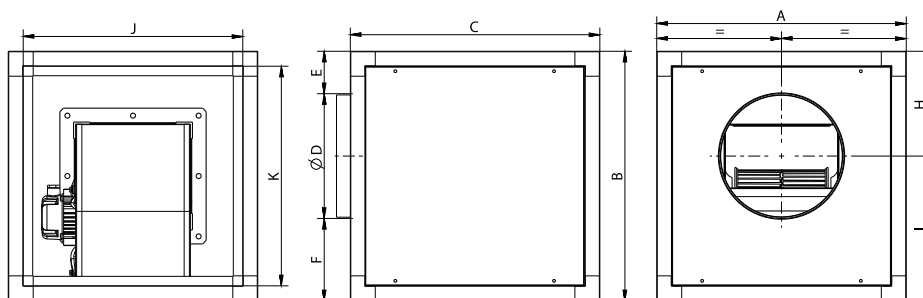
ERP DATA

Fan data sheet

Fan type	Unit for non-residential ventilation (LOT 6)	
Typology	Unidirectional	
reports.other	None	
Type of driver	None	
Motor power (kW)	0.13	
	Fan values	ERP Requirements 2018
Max. efficiency (%)	31.01	30.22
Effic. Heat recovery (%)	-	
Pabs (kW)	0.15	
reports.flow (m ³ /h)	1243.12	
Static pressure (Pa)	138.9	
Speed (m/s)	3.49	
SFP (W/m ³ /s)	433.15	



DIMENSIONS



Dimensions (mm)

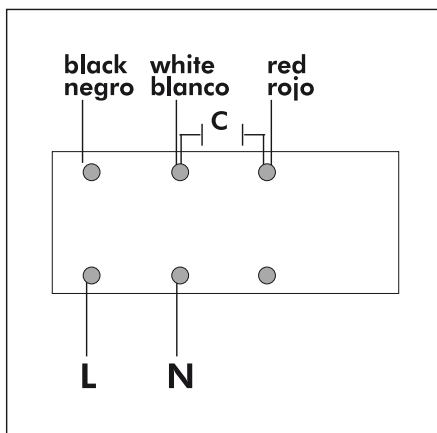
A	550	B	550	C	550	D	355	E	57,5
---	-----	---	-----	---	-----	---	-----	---	------

Dimensions (mm)

F	137,5	H	235	I	315	J	490	K	490
---	-------	---	-----	---	-----	---	-----	---	-----

WIRING DIAGRAM

SINGLE PHASE MOTOR
MOTOR MONOFÁSICO



ACCESSORIES



MANUAL SINGLE PHASE SPEED CONTROLLER
TSC 1,5



SAFETY SWITCH
ISOSW 25A 1V



WEATHER PROTECTIVE ROOF FOR VENTILATION
BOXES
TEJ DD BOX PLUS 9/9



EXTERNAL BOX FILTER
BOX FILTER 9



FILTER FOR BOX FILTER
FILTER G4 (BOX FILTER 9)



FILTER FOR BOX FILTER
FILTER M5/F5 (BOX FILTER 9)



FILTER FOR BOX FILTER
FILTER F7 (BOX FILTER 9)

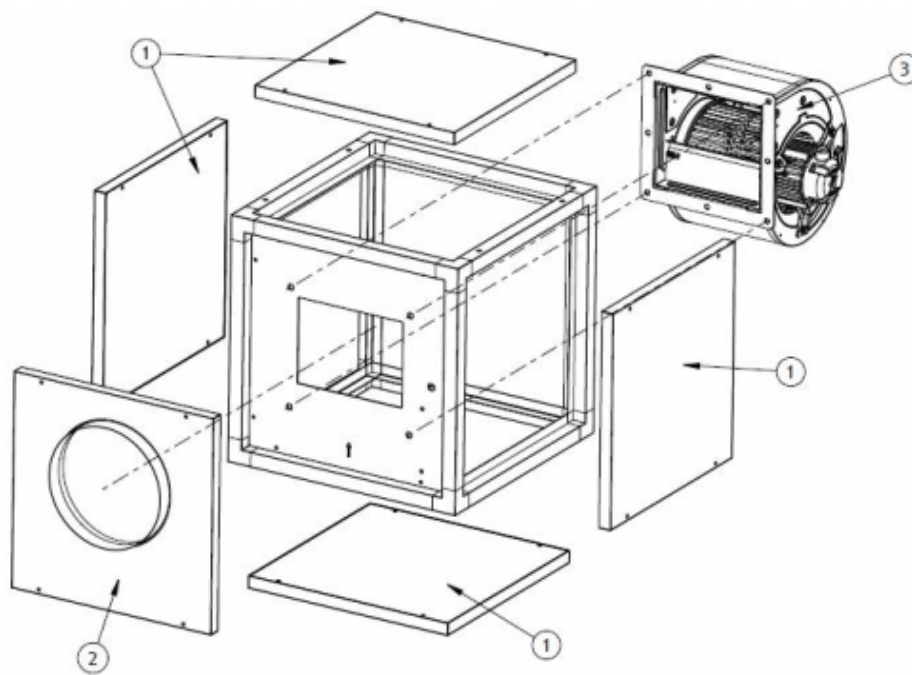


FILTER FOR BOX FILTER
FILTER F9 (BOX FILTER 9)



INLET/OUTLET ROUND COVER
SFFO DD BOX PLUS 9/9 (Ø355)

SPARE PARTS



	Code	Model
1	251281931R	4 x PANNEL BOX BD-BV PLUS 9/9
2	251281932R	1 x CIRCULAR CONNECTION BOX BD/BV PLUS 9/9 (Ø355)
3	251280261A002	1 x FAN BD 9/9 M6 0,13kW+MBI