

# LCA FIRE 45 T4 (A5:6) F400 ()

## GENERAL DATA



### LONG CASED AXIAL DIRECT DRIVE SMOKE FAN WITH CAST ALUMINUM IMPELLER - 400°C/2h

#### MANUFACTURING FEATURES:

- Long cased axial fan with reinforced body.
- Modular motor-impeller assembly.
- Cast aluminum impeller with variable pitch angle.
- Polyester powder finishing coat.
- Housing with motor access door for easy connection.
- Standard asynchronous squirrel-cage motor with IP-55 protection and Class H insulation certified 400°C/2h. Manufactured with standard voltages: 230/400V 50Hz in three phase motors up to 3kW and 400/690V 50Hz for higher powers.

#### APPLICATIONS:

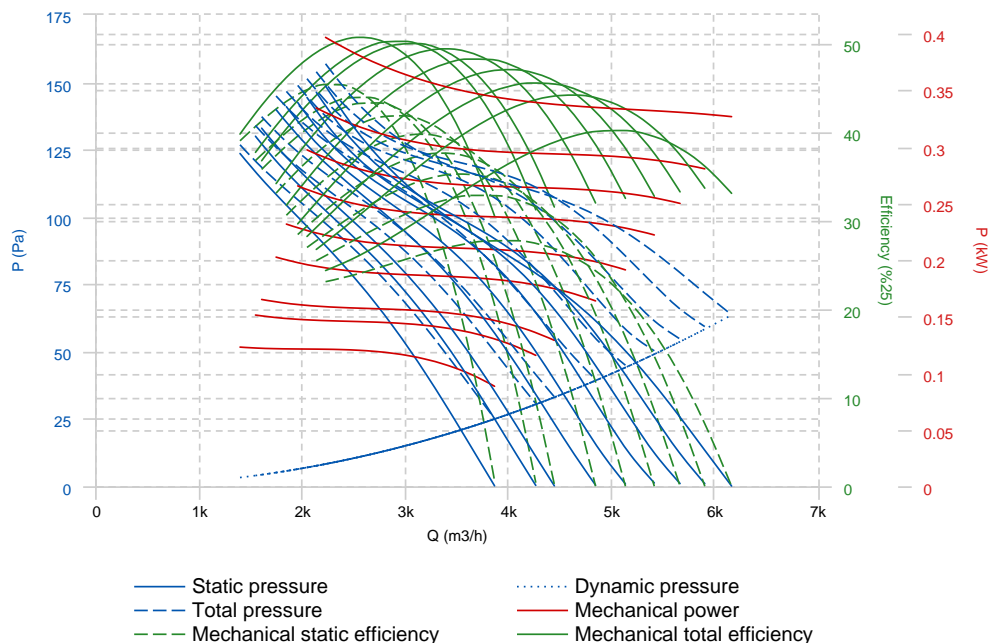
- Designed for inline installation, they are suitable for:
- Smoke emergency exhaust with motor inside the hazardous area.
  - Maximum working temperature: 60°C.

#### UNDER REQUEST:

- Supply impeller (air direction from impeller to motor).
- 100% reversible impeller.

Official homologation by the European laboratory APPLUS according to EN 12101-3:2015 Certification Nr: 0370-CPR-2269

## PERFORMANCE CURVE

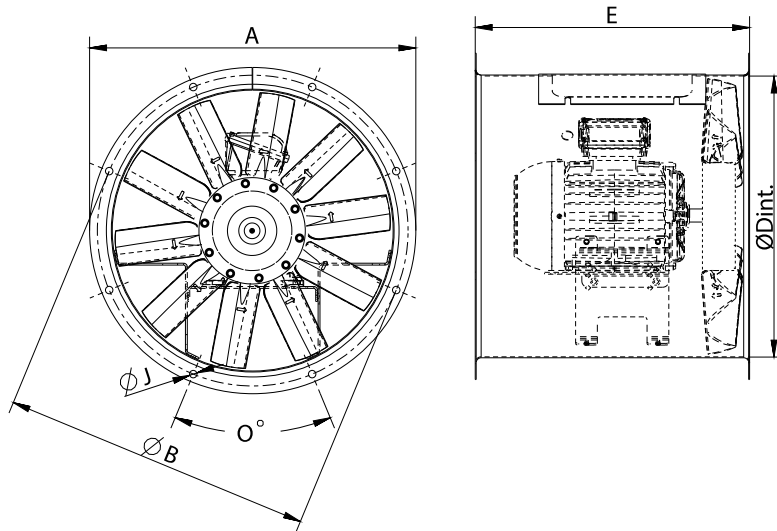


## TECHNICAL DATA

### Fan

RPM	Approx. weight	kg	Max. Flow	6150 m <sup>3</sup> /h
-----	----------------	----	-----------	------------------------

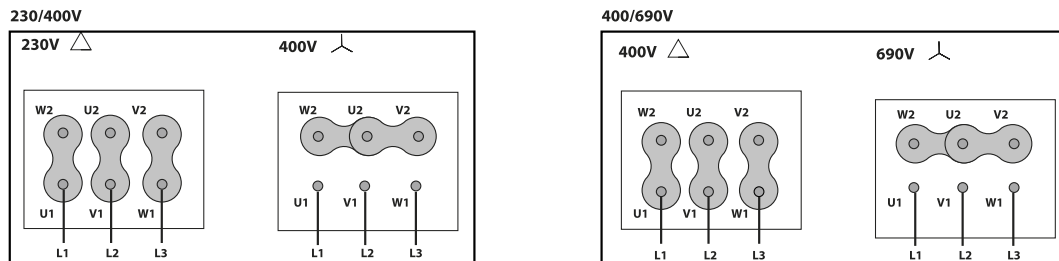
## DIMENSIONS



### Dimensions (mm)

E	455	O	8X45°	ØA	525	ØB	500	ØD	452
ØJ	12								

## WIRING DIAGRAM



**ACCESSORIES**



**PROTECTION GUARD FOR LONG CASED AXIAL FANS  
PG 45**



**CASED FANS MOUNTING SUPPORT  
MFLCA 45**



**CONNECTION FLANGE  
CCF 450**



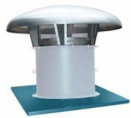
**ANTI-VIBRATING FLANGE 400°/2H  
FLEX FIRE 45**



**TILT MOUNTING SUPPORT FOR LCAP FANS  
PSLCAP 45**



**CIRCULAR-CIRCULAR ANTI-VIBRATION FLANGE  
FCCF 12**



**AXIAL ROOF FAN KIT - METALLIC  
KIT ARFM 45**