

WMA FIRE 112 T4 (A6:6) F300 ()

GENERAL DATA



WALL-MOUNTED AXIAL SMOKE FAN WITH CAST ALUMINUM IMPELLER DIRECT DRIVE - 300°C/1h

MANUFACTURING FEATURES

- Axial fan with circular reinforced frame.
- Modular motor-impeller assembly.
- Cast aluminum impeller with variable pitch angle.
- Polyester powder finishing coat.
- Standard asynchronous squirrel cage motor with IP-55 protection and Class H insulation certified 300°C/1h. Standard voltages 230/400V 50Hz in three phase motors up to 4kW and 400/690V 50Hz for higher powers.

APPLICATIONS

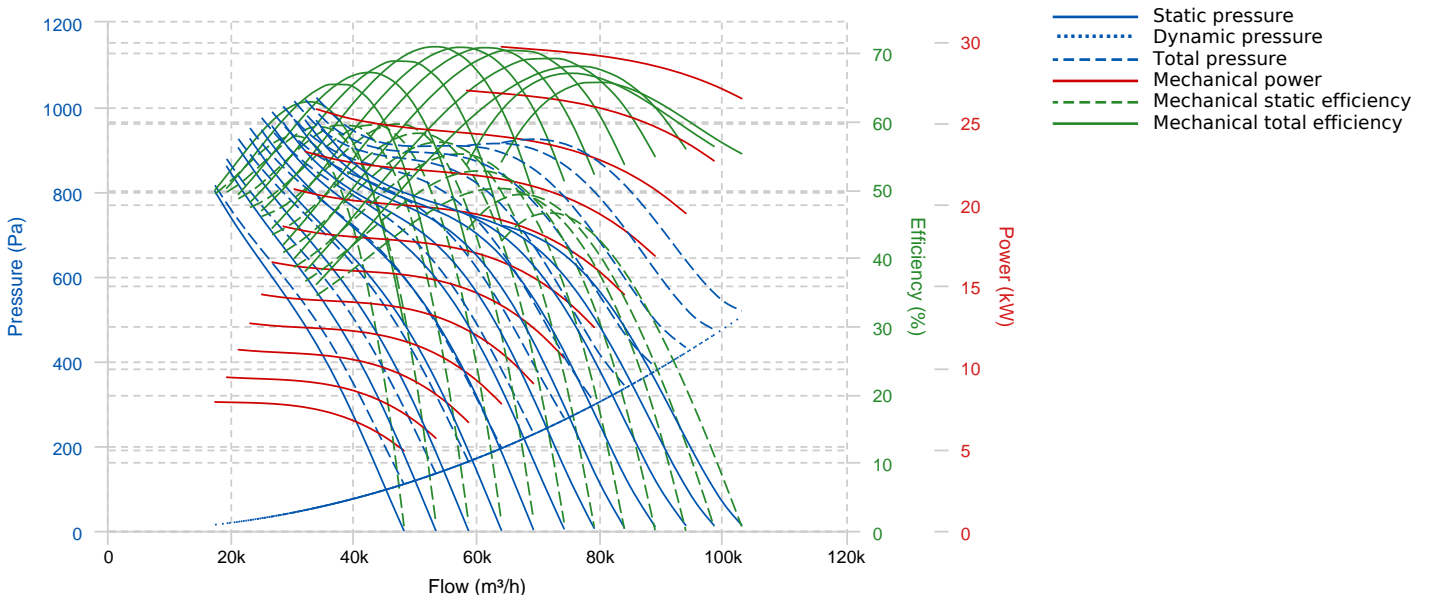
- Designed for wall or duct installation, they are suitable for:
- Smoke emergency exhaust with motor inside the hazardous area.
 - Maximum working temperature: 60°C.

UNDER REQUEST

- B Form impeller (air flow from impeller to motor).
- 100% reversible impeller.

Official homologation by the European laboratory APPLUS according to EN 12101-3:2015 Certification Nr: 0370-CPR-2406

PERFORMANCE CURVE

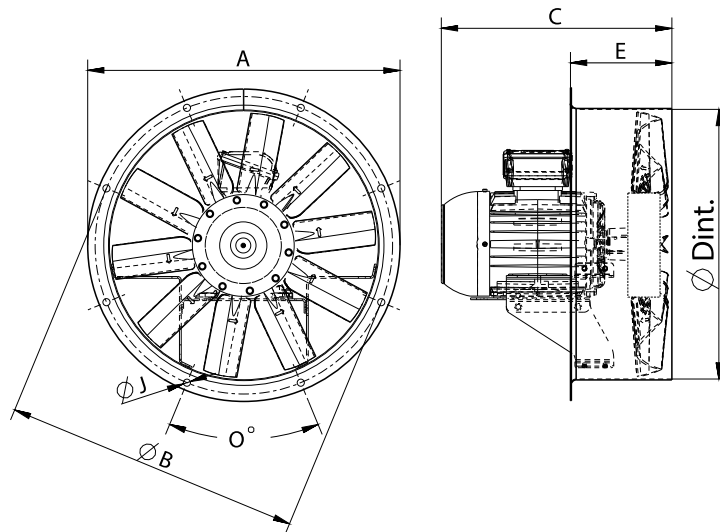


TECHNICAL DATA

Fan

RPM	-	Approx. weight	kg	Max. Flow	103010 m ³ /h
-----	---	----------------	----	-----------	--------------------------

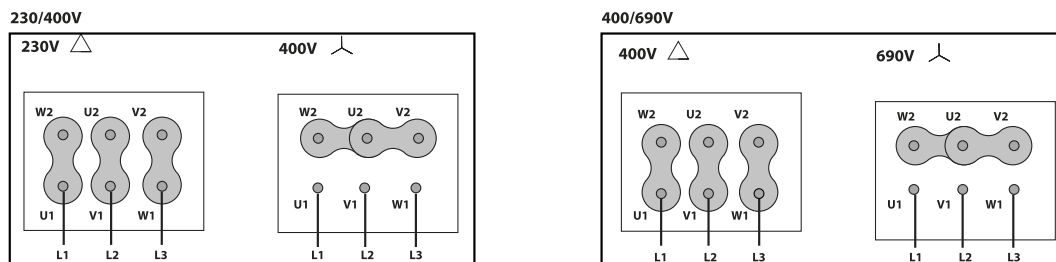
DIMENSIONS



Dimensions (mm)

C (Mot.T.132)	760	C (Mot.T.160L)	760	C (Mot.T.160M)	760	C (Mot.T.180L)	780	C (Mot.T.180M)	761
C (Mot.T.200)	864	C (Mot.T.225)	949	E	340	O	16x22,5°	ØA	1234
ØB	1190	ØD	1132	ØJ	12				

WIRING DIAGRAM



ACCESSORIES



**Outlet protection guard for axial fans
RPO 1120**



**CIRCULAR-CIRCULAR ANTI-VIBRATION FLANGE
BAD 20**



**CONNECTION FLANGE
AC 1120**