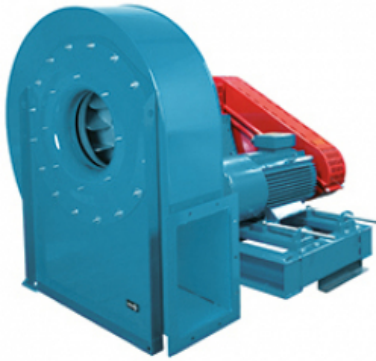


MPNMD 1600 ()

Product out of catalogue

GENERAL DATA



MEDIUM PRESSURE FAN WITH BACKWARD CURVED IMPELLER BELT DRIVE IN Fe360 SHEET

MANUFACTURING FEATURES:

- Fan made of Fe360 sheet. The fan paint finish is based on a Qualicoat polyester powder coating stoved at 200°C, with an average film thickness of 70 microns. Average heat resistance of coating is 180°C with peaks of 200°C.
- Fully welded or joined housing.
- Single inlet backward impeller with self-cleaning system made of Fe360 sheet statically and dynamically balanced. Impellers are painted with polyester primer that resists temperatures up to 300°C.
- Motorized fan with basement (configuration 12). Full equipped fans including: motor, pulleys, belts, belts guard and shaft guard. Fitted over a base plate.
- Standard orientation LG270.
- It allows adjusting the orientation locally from models 400 to 630. Models sizes from 710 to 2000 size the orientation is fixed.

APPLICATIONS:

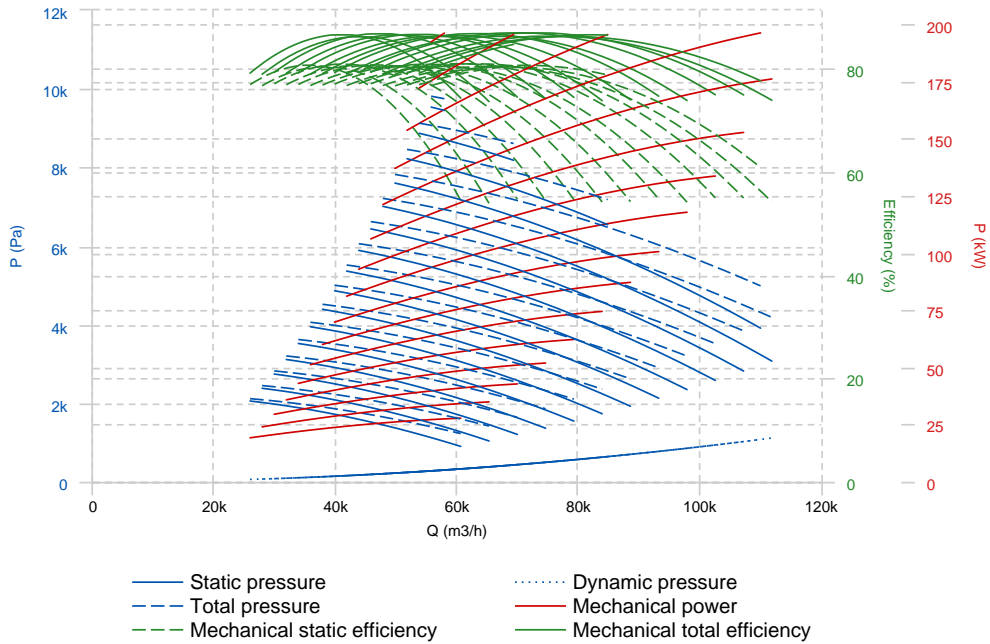
Designed for inline installation, they are suitable for:

- Industrial applications, extraction or injection of air.
- Cooling of machines and parts.
- Clean and slightly dusty air transport.
- Exhaust after filters, separators and cyclones.
- Pneumatic transport.
- Maximum working temperature: carried air: 200°C, ambient: 60°C.

UNDER REQUEST

- Fans for 60Hz and special voltages.
- 2 speed motor.
- Fan with free shaft (configuration 1) or with motor supported on the pedestal side (configuration 9).
- C4 or C5 coating painting
- Hot dip galvanized
- Special steel (Cor-Ten A, Hardox...)
- Inox 304 (normal or electropolished finish)
- Inox 316 (normal or electropolished finish)
- Cooling wheel
- Anticaloric paint
- Reinforced housing
- Fully welded housing (waterproof)
- Insulated housing
- Split casing (for big sizes)
- Inspection door to facilitate maintenance and cleaning
- Drain plug.
- Airtight axle
- Frontal foot
- Double suction flange
- Available in the following versions:
 - Non-sparking air passage and standard motor.
 - ATEX II3GD Ex_na
 - ATEX II3G Ex_e
 - ATEX II3GD Ex_d
- Other brands of motors.
- Orientation: RD0, RD45, RD90, RD135, RD180, RD225, RD270, RD315, LG0, LG45, LG90, LG135, LG180. LG225, LG315.

PERFORMANCE CURVE

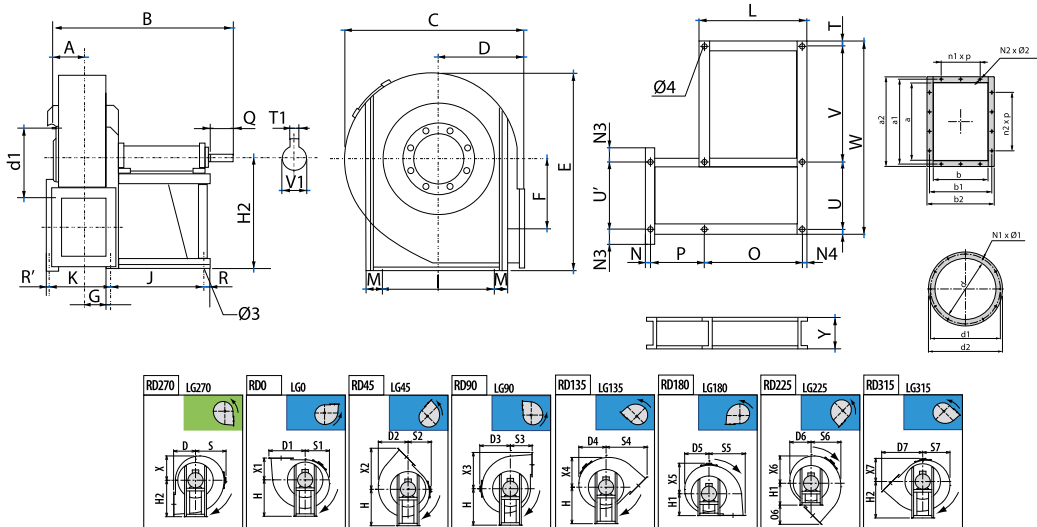


TECHNICAL DATA

Fan

RPM	1400	Approx. weight	kg	Max. Flow	111870 m ³ /h
-----	------	----------------	----	-----------	--------------------------

DIMENSIONS



Dimensions (mm)

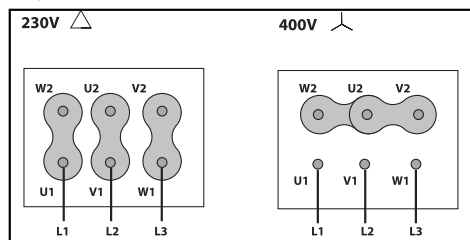
A	387	B	2175	C	2620	D	1120	D1	1814
---	-----	---	------	---	------	---	------	----	------

Dimensions (mm)

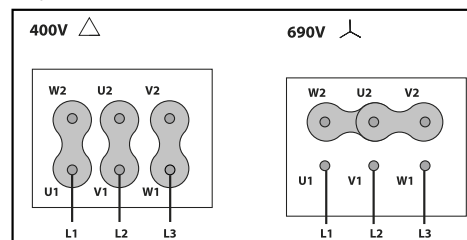
D2	1572	D3	1500	D4	1434	D5	1277	D6	1085
D7	2075	E	3177	F	1250	G	488	H	1500
H1	1120	H2	1500	I	1640	J	917	K	890
L	1047	M	60	N	75	N1	65	N1xØ1	N#24 M10x30
N2xØ2	18x14	N3	120	N4	65	O	917	O6	955
P	890	Q	210	R	65	R'	75	S	1500
S1	1277	S2	1085	S3	1120	S4	2075	S5	1814
S6	1572	S7	1434	T	60	T1	25	U	1640
U'	1640	V	1205	V1	90	W	2965	X	1277
X1	1120	X2	2075	X3	1814	X4	1572	X5	1500
X6	1434	X7	1085	Y	220	a	1007	a1	1077
a2	1127	b	715	b1	785	b2	835	d	1007
d1	1067	d2	1107	n1xp	3x200	n2xp	4x200	Ø3	28
Ø4	30								

WIRING DIAGRAM

230/400V



400/690V



ACCESSORIES



CONNECTION FLANGE
AC 1000



ANTI-VIBRATING FLANGE 400°/2H
BA-400 100



**INLET PROTECTION GUARD FOR CENTRIFUGAL FANS
RA 1007x24**



**OUTLET PROTECTION GUARD FOR FANS
RI 1007x715**

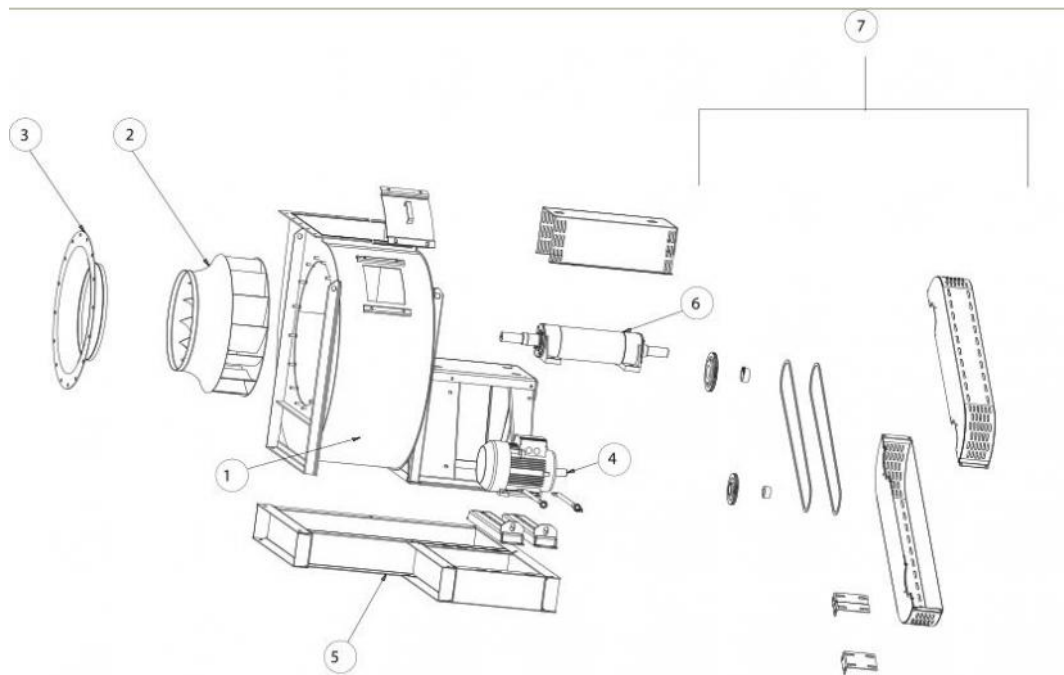


**CIRCULAR OUTLET CONNECTION FLANGE
EI 1007x715-1000**



**CIRCULAR-CIRCULAR ANTI-VIBRATION FLANGE
BAD 19**

SPARE PARTS



	Code	Model
2	T03516000	1 x TURBINE MZGR 1600 LG
3	503516000SP04	1 x INLET CONE MBGR-MZGR 1600
6	50522000SP01	1 x PIECE TRANSMISSION 522