

LCAE R 56 T4 0,55kW ()

GENERAL DATA



SHORT CASED AXIAL BELT DRIVE FAN WITH CAST ALUMINUM IMPELLER, EXTERNAL MOTOR AND SPLIT CASING

MANUFACTURING FEATURES:

- Long cased fan.
- Transmission ball bearings set inside a sealed box manufactured in steel or cast aluminum. Ball bearings permanently greased.
- Cast aluminum impeller with variable pitch angle.
- Polyester powder finishing coat.
- Standard asynchronous squirrel-cage motor with IP-55 protection and Class F insulation. Manufactured with standard voltages: 230V 50Hz in single phase motors and 230/400V 50Hz in three phase motors, up to 4kW and 400/690V 50Hz for higher powers.
- Fan opening option (180°) for easier maintenance and no need of disassembly from the installation.

APPLICATIONS:

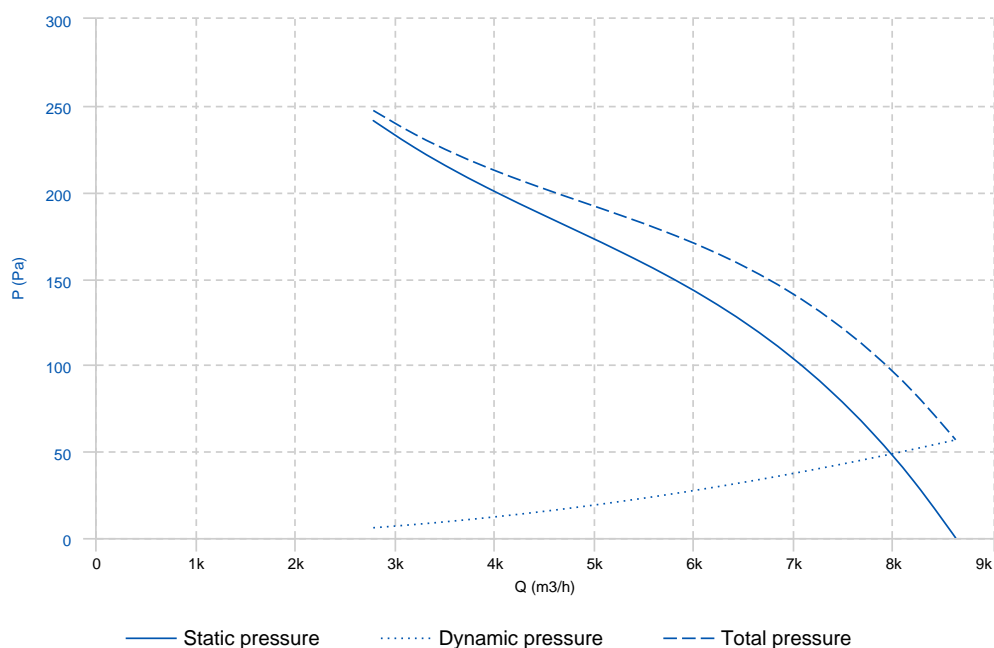
Designed for inline installation, they are suitable for:

- Air renewal in buildings and industries.
- Extraction of hot air up to 110°C.
- Maximum working temperature: carried air: 110°C, ambient 60°C.

UNDER REQUEST:

- Supply impeller (air direction from impeller to motor),
- Reversible impeller.
- Polyamide impeller.
- 60Hz fans and special voltages
- 2 speed motors.
- Stainless steel hous

PERFORMANCE CURVE

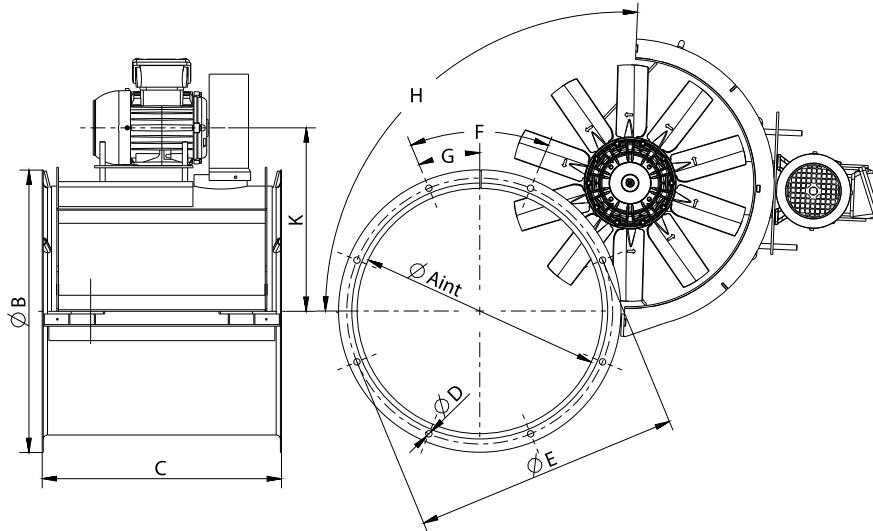


TECHNICAL DATA

Fan

RPM	1400	Approx. weight	36 kg	Max. Flow	8630 m ³ /h
-----	------	----------------	-------	-----------	------------------------

DIMENSIONS

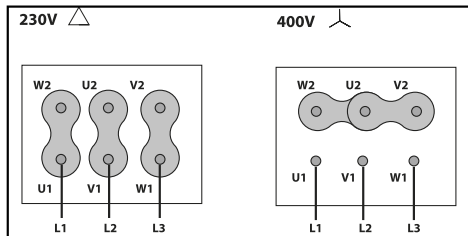


Dimensions (mm)

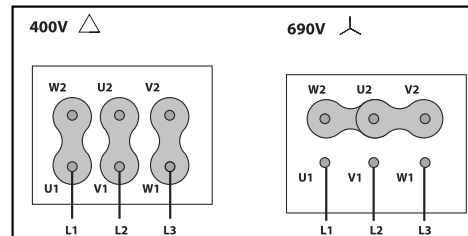
AØ	560	BØ	650	C	482	DØ	12	E	620
F	12x30°	G	15°	H	110°	K max	406		

WIRING DIAGRAM

230/400V



400/690V



ACCESSORIES



SAFETY SWITCH
INT 25 3P A



PROTECTION GUARD FOR LONG CASE AXIAL FANS
RP 56



PLASTIC GRAVITY SHUTTER
PCP 56



CONNECTION FLANGE
AC 560



ANTI-VIBRATING FLANGE 400°/2H
BA-400 56



ALUMINIUM GRAVITY SHUTTER
PC2 60



CIRCULAR-CIRCULAR ANTI-VIBRATION FLANGE
BAD 14



FREQUENCY SPEED CONTROLLER
SFC 230 I 4,2A *



FREQUENCY SPEED CONTROLLER
SFC 400 III 2,2A *

SPARE PARTS

	Code	Model
1	H56056320ASTD	1 x ALUMINIUM IMPELLER 560:AA5:6 G20 D19
2	721001137	1 x MOTOR 0,55kW T4 B3 230/400V IEC80

	Code	Model
3	732006301	2 x PULLEY SPZ63-1 (1108)
4	733110819	1 x TAPER 1108D19
4	733110824	1 x TAPER 1108D24
5	264389415	1 x PIECE TRANSMISSION HH/HHP 56
6	731101202	1 x BELT SPZX1012