

AC 560 ()

GENERAL DATA



CONNECTION FLANGE

MANUFACTURING FEATURES

- For axial (inlet and outlet) and centrifugal (inlet) fans.

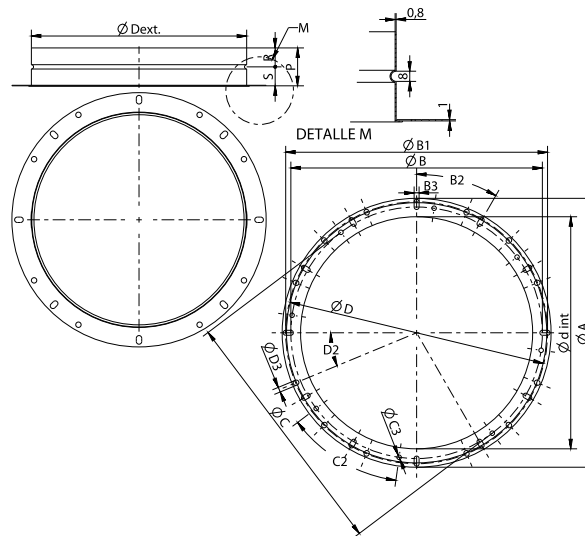
UNDER REQUEST

- Versions in stainless 304 and stainless 316.

TECHNICAL DATA

approx. weight 1.30 Kg

DIMENSIONS



Dimensions (mm)

| | | | | | | | | | |
|----|-----|------|------|----|-----|-----|-------|------|---------|
| A | 650 | B | 608 | B1 | 629 | B2 | 12x30 | B3 | 12 |
| C | 608 | C2 | 8x45 | C3 | 11 | D | 629 | D2 | 16x22,5 |
| D3 | 12 | Dext | 558 | P | 70 | R=S | 35 | dint | 559 |