

# PC2 60 ( )

## GENERAL DATA



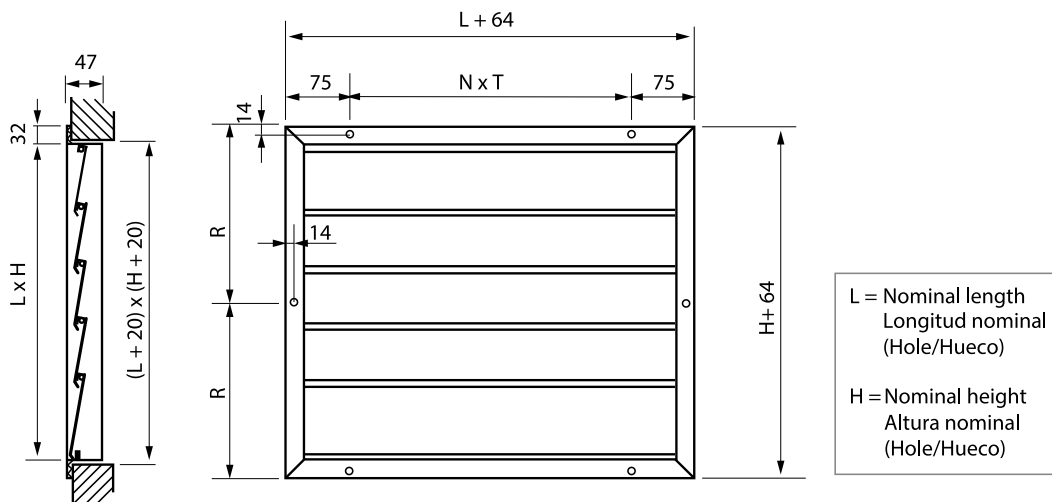
### ALUMINIUM GRAVITY SHUTTER

- Overpressure backward damper for facade made of extruded aluminum and standard natural aluminum finishing.
- It incorporates weatherstrip in the fins to achieve greater efficiency in the closure and noise damping.
- Maintains overpressure or depression inside a room with respect to the outside or other adjacent rooms.
- Drills incorporated in frame for wall or duct fixing with screws or rivets.
- Recommended maximum air passage speed 6m/s. maximum temperature of 80°C.

## TECHNICAL DATA

approx. weight 2.31 Kg

## DIMENSIONS



### Dimensions (mm)

|   |     |   |     |       |       |   |     |          |   |
|---|-----|---|-----|-------|-------|---|-----|----------|---|
| H | 600 | L | 600 | N x T | 2x257 | R | 332 | nº holes | 8 |
|---|-----|---|-----|-------|-------|---|-----|----------|---|